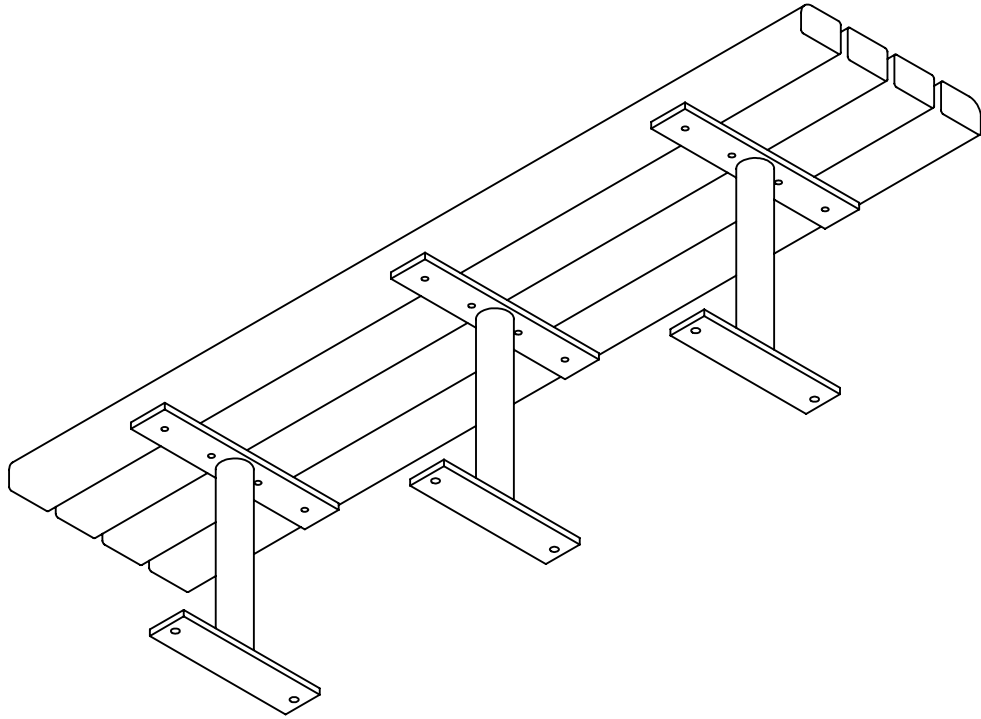




WDF2-RP HARDWARE SHEET



ITEM NO.	PART NUMBER	QTY.
1	WDF2 End Frame	3
2	WDB 4x3 Bullnose	2
3	WDB 4x3 Square	2
4	3/8" x 2" SS Lag Bolt	12
5	3/8" SS Flat Washer	12