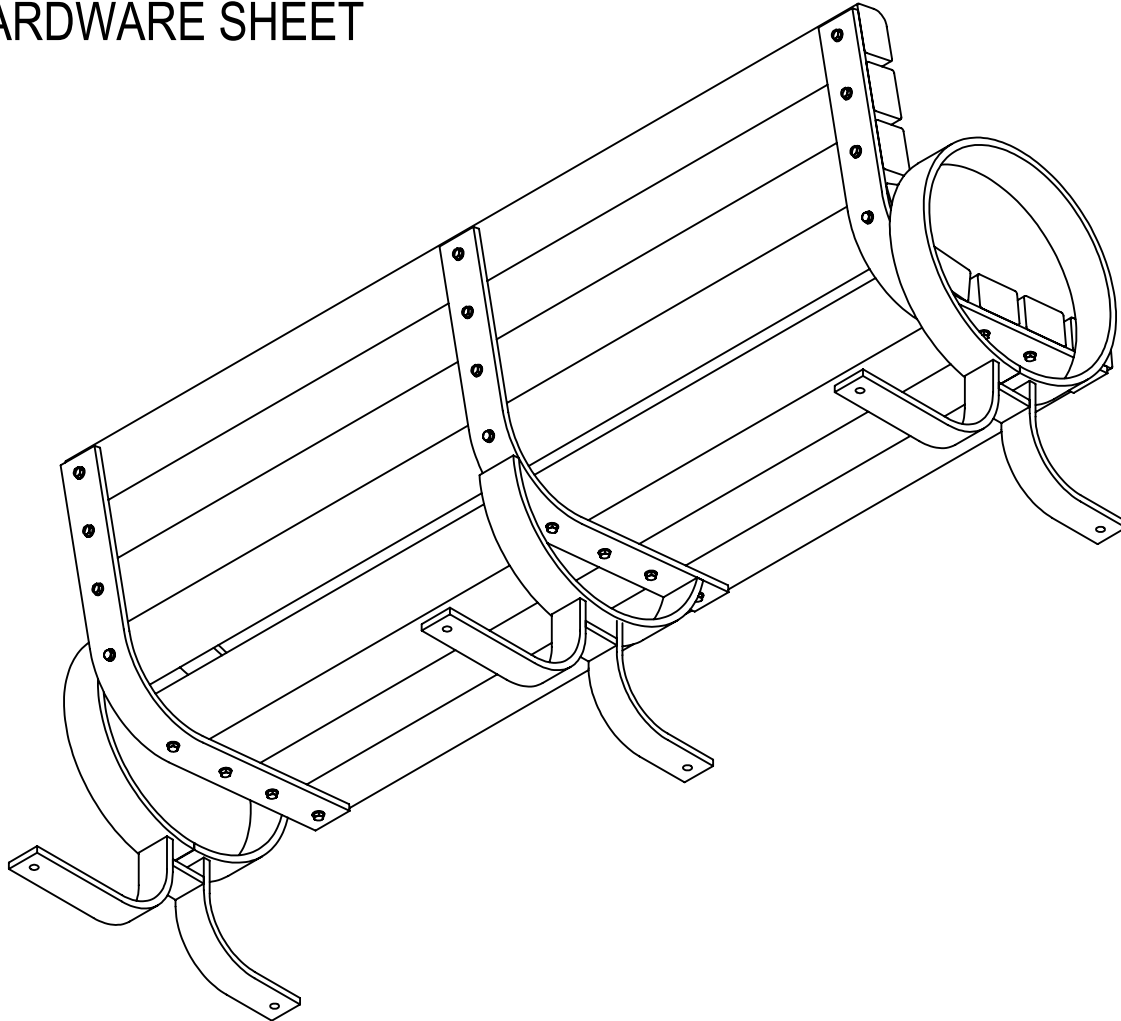


# WDBC-RP HARDWARE SHEET



ITEM NO.	PART NUMBER	QTY.
1	WDBC-EF Left	1
2	WDBC-EF Right	1
3	WDBC-EF Center	1
4	WDBC 4x3 Square	6
5	WDBC 4x3 Bullnose	2
6	3/8" x 2" SS Lag Bolt	24
7	3/8" SS Flat Washer	24