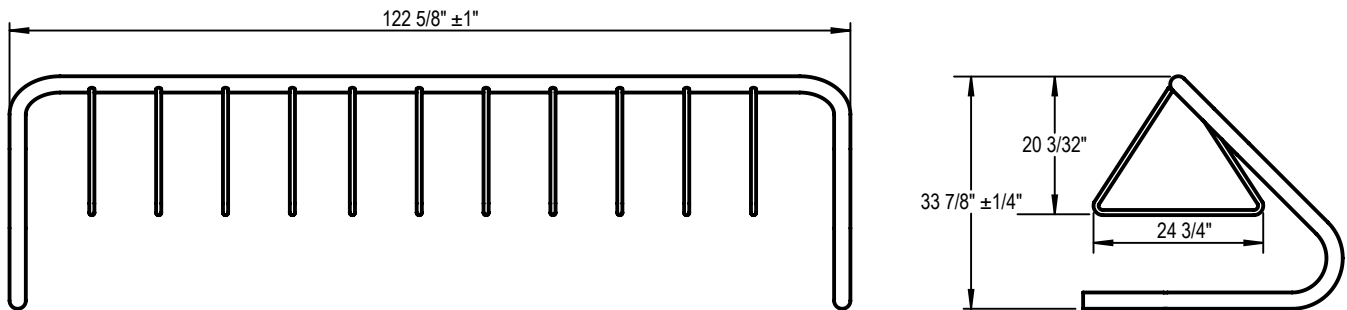
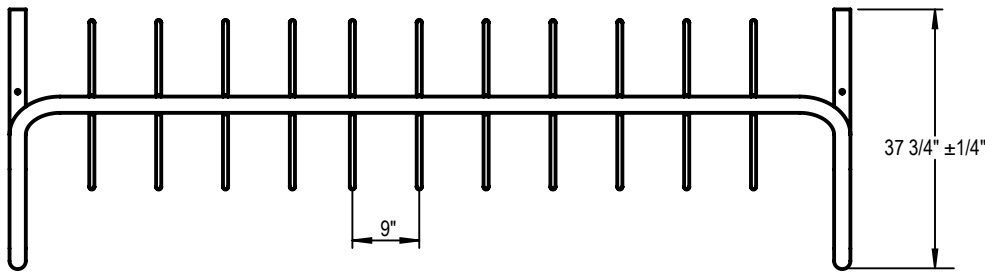
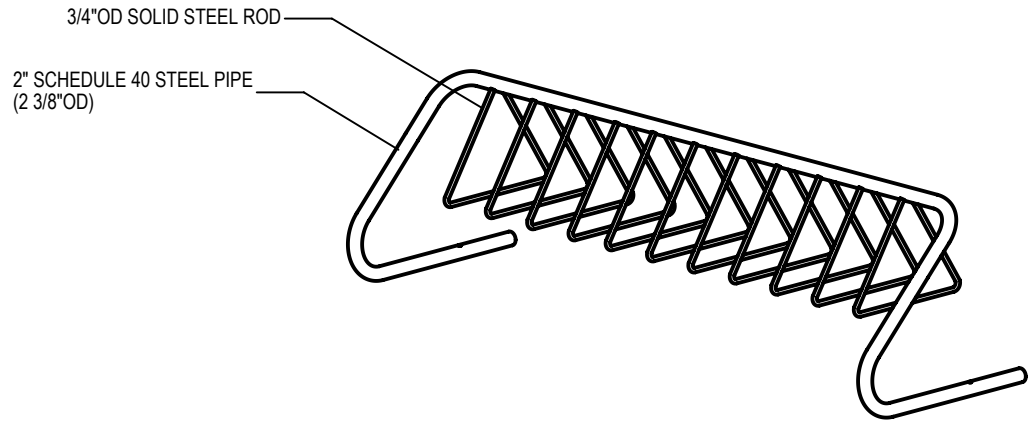




TRILARY, INC.
 2700 LAURA LANE
 MIDDLETON, WI 53562
 P(800) 448-7931, P(608) 831-9040, F(608) 831-7623
 WWW.MADRAX.COM, E-MAIL: SALES@MADRAX.COM



PRODUCT: TRI-14
 DESCRIPTION: TRITON BIKE RACK
 14 BIKE, SURFACE MOUNT
 DATE: 12-12-02
 ENG: TLG

CONFIDENTIAL DRAWING AND INFORMATION IS NOT TO BE COPIED
 OR DISCLOSED TO OTHERS WITHOUT THE CONSENT OF TRILARY, INC.
 SPECIFICATIONS ARE SUBJECT TO CHANGE WITHOUT NOTICE.

©2007 TRILARY, INC. ALL PROPRIETARY RIGHTS RESERVED.

NOTES:

1. INSTALL BIKE RACKS ACCORDING TO MANUFACTURER'S SPECIFICATIONS.
2. CONSULTANT TO SELECT COLOR(FINISH), SEE MANUFACTURER'S SPECIFICATIONS.
3. SEE SITE PLAN FOR LOCATION OR CONSULT OWNER.