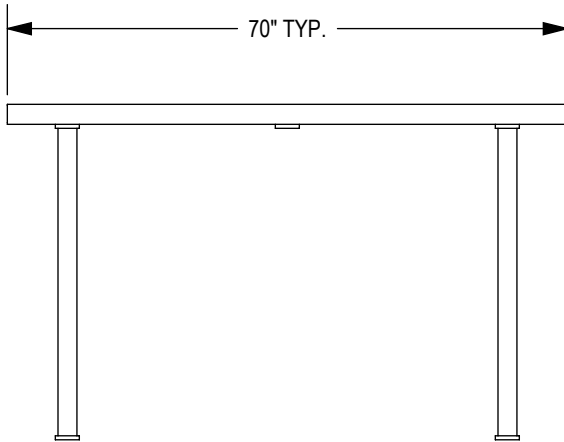
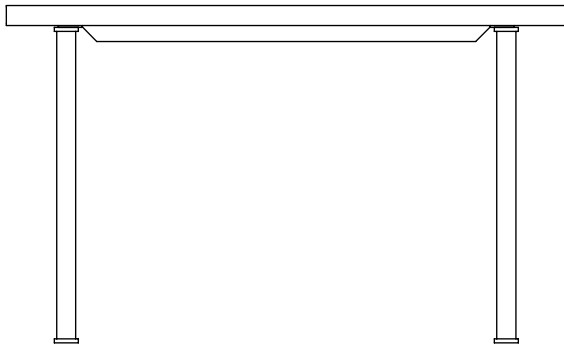
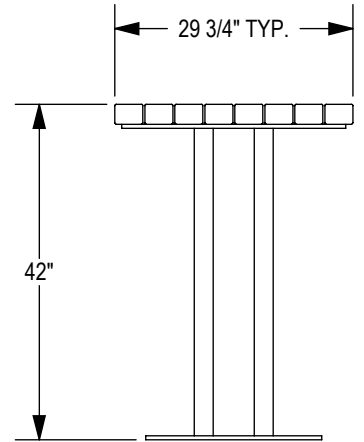




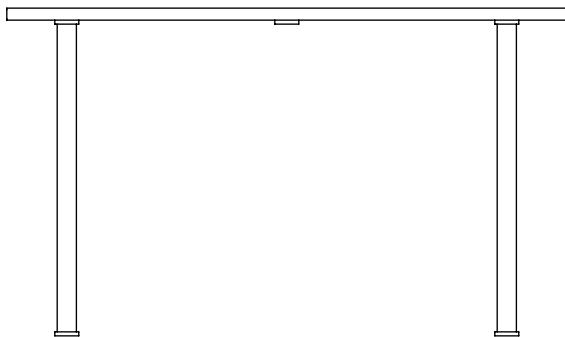
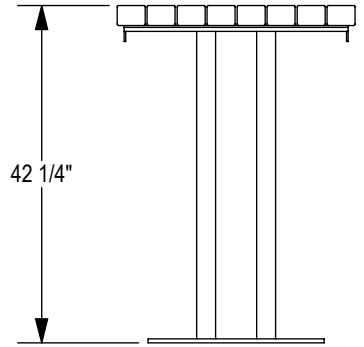
THOMAS STEELE DIVISION
 GRABER MANUFACTURING, INC.
 1080 UNIEK DRIVE
 WAUNAKEE, WI 53597
 P(800) 448-7931, P(608) 849-1080, F(608) 849-1081
 WWW.MADRAX.COM, E-MAIL: SALES@MADRAX.COM



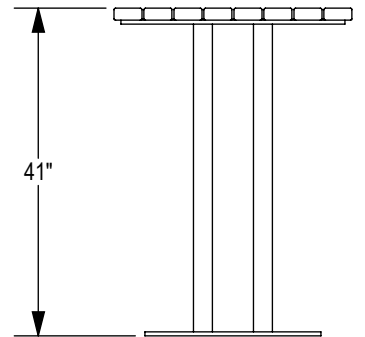
□ 3X4 IPE WOOD



□ 3X4 RECYCLED PLASTIC



□ 2X4 IPE WOOD



PRODUCT: WDTPB-6
 DESCRIPTION: WALDEN BAR HEIGHT PICNIC TABLE, 6 FT

DATE: 7-21-16
 ENG: SMC

CONFIDENTIAL DRAWING AND INFORMATION IS NOT TO BE COPIED OR DISCLOSED TO OTHERS WITHOUT THE CONSENT OF GRABER MANUFACTURING, INC. SPECIFICATIONS ARE SUBJECT TO CHANGE WITHOUT NOTICE.

©2016 GRABER MANUFACTURING, INC. ALL PROPRIETARY RIGHTS RESERVED.

ALL FASTENERS ARE STAINLESS STEEL
 SOME ASSEMBLY REQUIRED

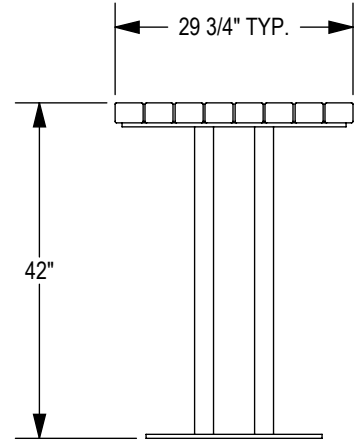
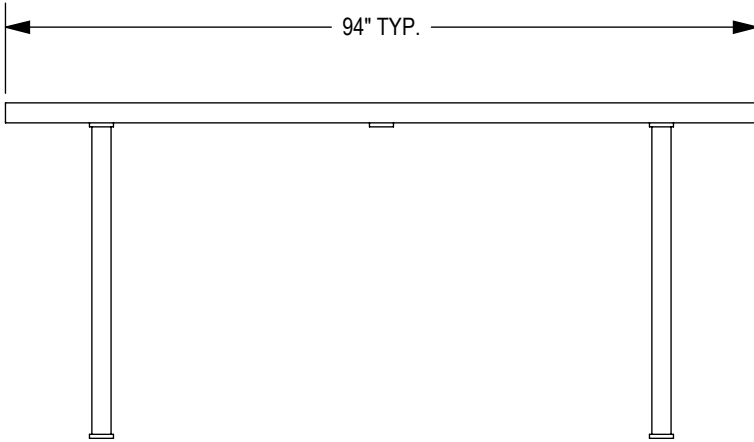
SITE FURNISHING IS POWDER COATED WITH TGIC POLYESTER. STEEL SURFACE PREP INCLUDES MECHANICAL AND CHEMICAL ETCHING FOLLOWED WITH A COATING TO IMPROVE ADHESION AND CORROSION RESISTANCE.



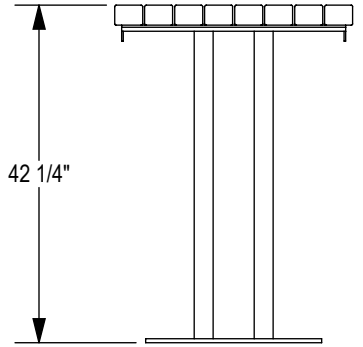
THOMAS STEELE DIVISION

GRABER MANUFACTURING, INC.
1080 UNIEK DRIVE
WAUNAKEE, WI 53597

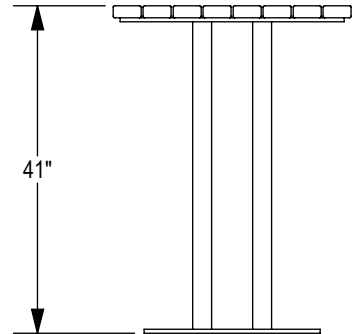
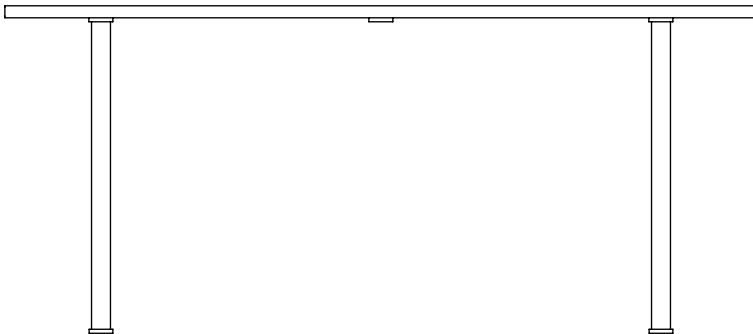
P(800) 448-7931, P(608) 849-1080, F(608) 849-1081
WWW.MADRAX.COM, E-MAIL: SALES@MADRAX.COM



□ 3X4 IPE WOOD



□ 3X4 RECYCLED PLASTIC



□ 2x4 IPE WOOD

PRODUCT: WDTPB-8
DESCRIPTION: WALDEN BAR HEIGHT PICNIC TABLE, 8 FT

DATE: 7-21-16
ENG: SMC

CONFIDENTIAL DRAWING AND INFORMATION IS NOT TO BE COPIED OR DISCLOSED TO OTHERS WITHOUT THE CONSENT OF GRABER MANUFACTURING, INC. SPECIFICATIONS ARE SUBJECT TO CHANGE WITHOUT NOTICE.

SITE FURNISHING IS POWDER COATED WITH TGIC POLYESTER. STEEL SURFACE PREP INCLUDES MECHANICAL AND CHEMICAL ETCHING FOLLOWED WITH A COATING TO IMPROVE ADHESION AND CORROSION RESISTANCE.