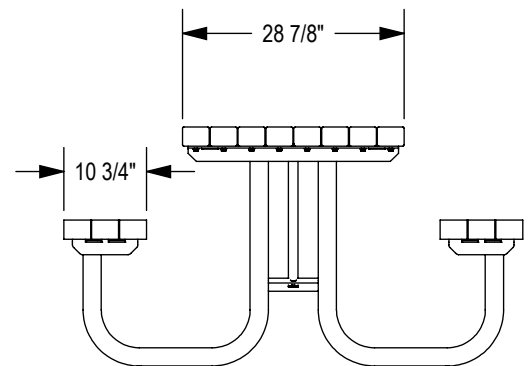
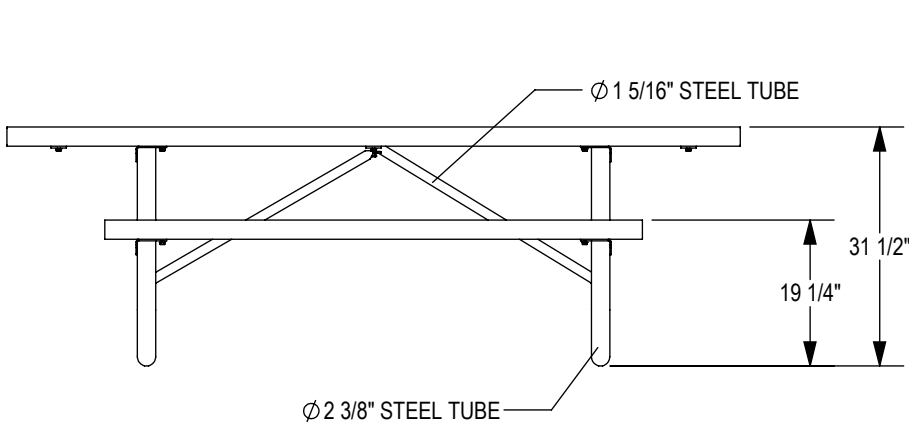


RADIUS ON ALL END CUTS

ASTM-A123 HOT DIP GALVANIZED STEEL FRAME OR TGIC POWDER COAT



PRODUCT: WDTFS-8HC-WI34  
 DESCRIPTION: WALDEN FREE STANDING PICNIC TABLE, ADA 8 FEET,  
 3X4 WOOD SHOWN

DATE: 9-5-19  
 ENG: SMC

CONFIDENTIAL DRAWING AND INFORMATION IS NOT TO BE COPIED OR DISCLOSED TO OTHERS WITHOUT THE CONSENT OF GRABER MANUFACTURING, INC. SPECIFICATIONS ARE SUBJECT TO CHANGE WITHOUT NOTICE.

©2019 GRABER MANUFACTURING, INC. ALL PROPRIETARY RIGHTS RESERVED.

ASSEMBLY REQUIRED

SITE FURNISHING IS POWDER COATED WITH TGIC POLYESTER. STEEL SURFACE PREP INCLUDES MECHANICAL AND CHEMICAL ETCHING FOLLOWED WITH A COATING TO IMPROVE ADHESION AND CORROSION RESISTANCE.