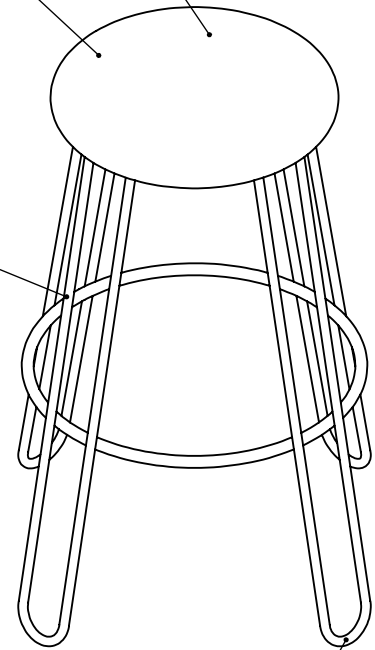


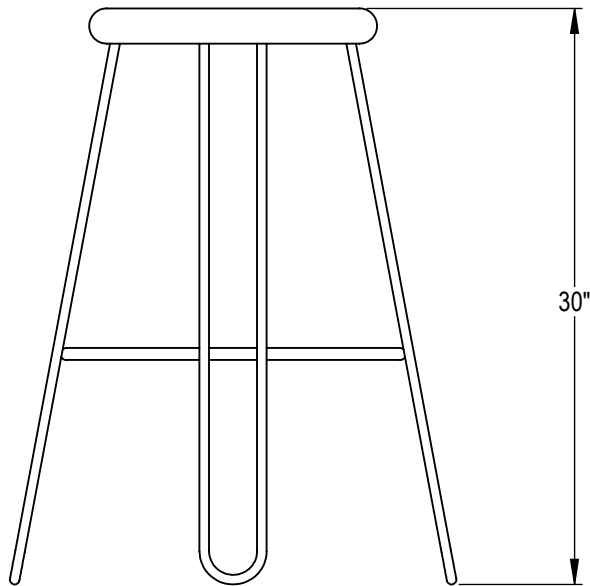
FULLY WELDED CONSTRUCTION

FORMED STEEL SEAT

$\text{Ø} 1/2''$ STEEL ROD



OPTIONAL ANCHORING
TABS AVAILABLE



PRODUCT: PLSB
 DESCRIPTION: PARLOR STOOL, BAR HEIGHT

DATE: 6-24-2019
 ENG: BLW

CONFIDENTIAL DRAWING AND INFORMATION IS NOT TO BE COPIED OR DISCLOSED TO OTHERS WITHOUT THE CONSENT OF GRABER MANUFACTURING, INC. SPECIFICATIONS ARE SUBJECT TO CHANGE WITHOUT NOTICE.

SITE FURNISHING IS POWDER COATED WITH TGIC POLYESTER. STEEL SURFACE PREP INCLUDES MECHANICAL AND CHEMICAL ETCHING FOLLOWED WITH A COATING TO IMPROVE ADHESION AND CORROSION RESISTANCE.