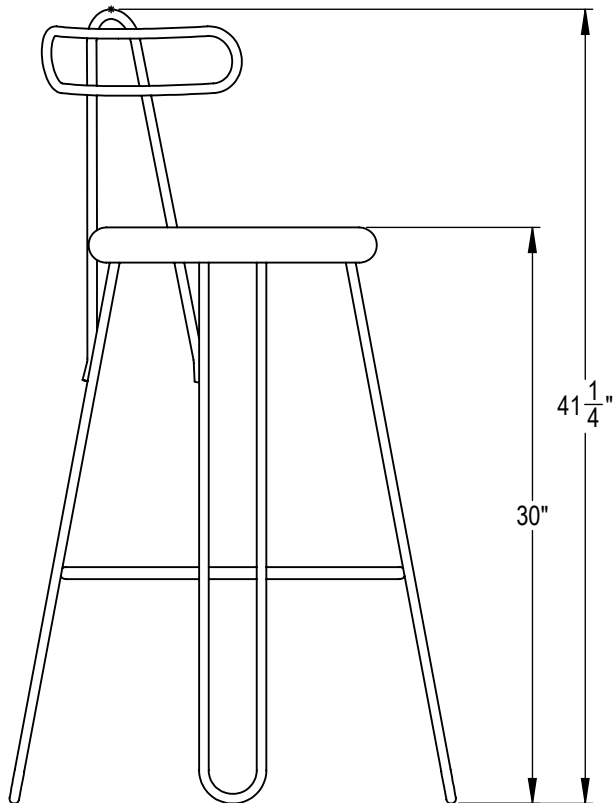
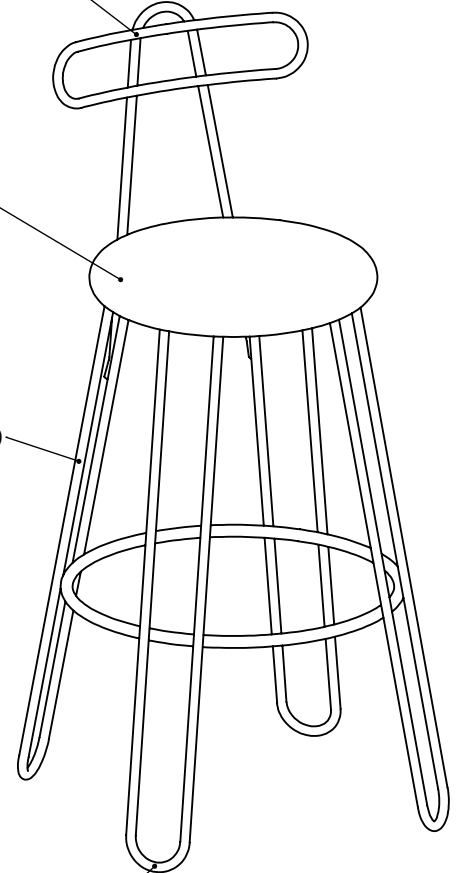


FULLY WELDED CONSTRUCTION

FORMED STEEL SEAT

Ø 1/2" STEEL ROD

OPTIONAL ANCHORING
TABS AVAILABLE



PRODUCT: PLCB
 DESCRIPTION: PARLOR CHAIR, BAR HEIGHT

DATE: 6-24-2019
 ENG: BLW

CONFIDENTIAL DRAWING AND INFORMATION IS NOT TO BE COPIED OR DISCLOSED
 TO OTHERS WITHOUT THE CONSENT OF GRABER MANUFACTURING, INC.
 SPECIFICATIONS ARE SUBJECT TO CHANGE WITHOUT NOTICE.

SITE FURNISHING IS POWDER COATED WITH TGIC POLYESTER.
 STEEL SURFACE PREP INCLUDES MECHANICAL AND CHEMICAL
 ETCHING FOLLOWED WITH A COATING TO IMPROVE ADHESION
 AND CORROSION RESISTANCE.