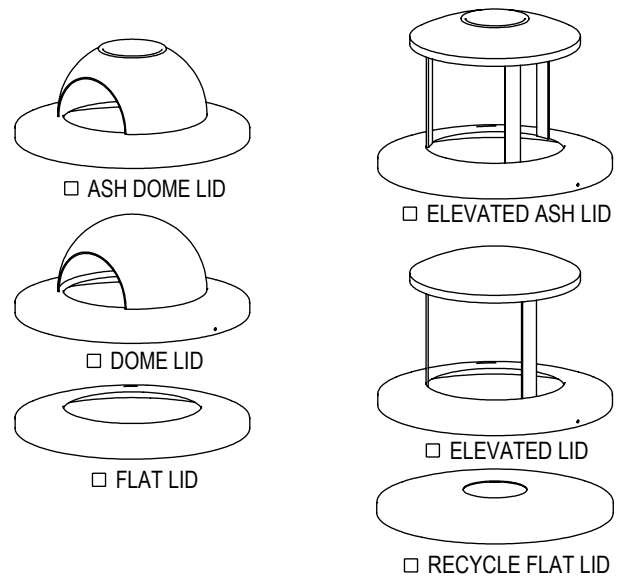


LID OPTIONS



PRODUCT: CRTR-36
 DESCRIPTION: CARNIVAL TRASH RECEPTACLE 36 GAL.

DATE: 5-21-20
 ENG: SMC

CONFIDENTIAL DRAWING AND INFORMATION IS NOT TO BE COPIED OR DISCLOSED TO OTHERS WITHOUT THE CONSENT OF GRABER MANUFACTURING, INC. SPECIFICATIONS ARE SUBJECT TO CHANGE WITHOUT NOTICE.

©2020 GRABER MANUFACTURING, INC. ALL PROPRIETARY RIGHTS RESERVED.

TRASH LIDS ARE ATTACHED WITH 2 EA. STEEL VINYL COATED AIRCRAFT CABLE. PLASTIC LINER INCLUDED. ALL FASTENERS ARE STAINLESS STEEL

SITE FURNISHING IS POWDER COATED WITH TGIC POLYESTER. STEEL SURFACE PREP INCLUDES MECHANICAL AND CHEMICAL ETCHING FOLLOWED WITH A COATING TO IMPROVE ADHESION AND CORROSION RESISTANCE.