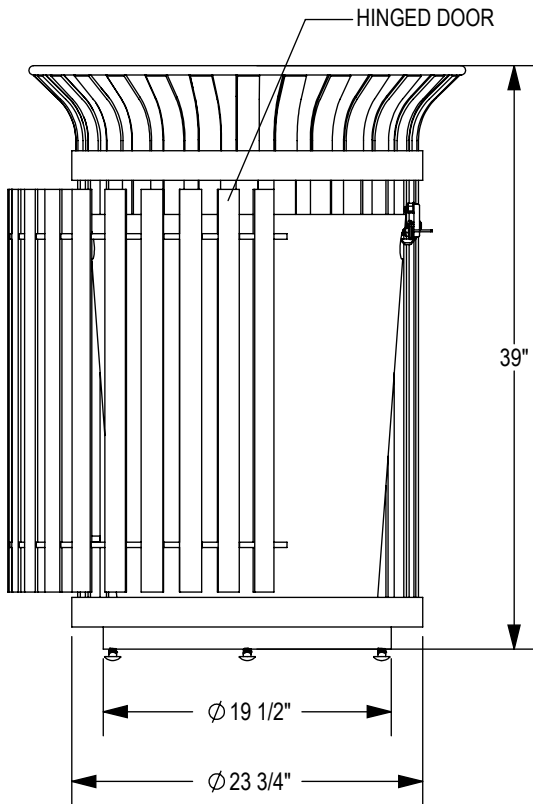
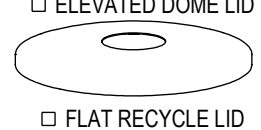
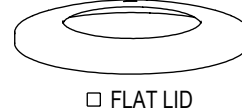
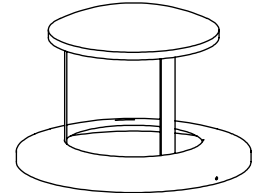
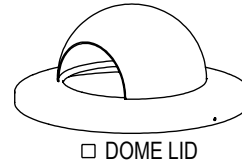
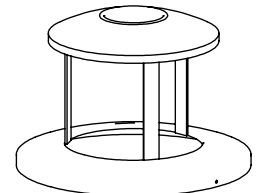


32 GALLON PLASTIC LINER INCLUDED
REMOVED FROM ILLUSTRATIONS FOR CLARITY



LID OPTIONS



PRODUCT: CRTR-32-DOOR
DESCRIPTION: CARNIVAL TRASH RECEPTACLE 32 GALLON, WITH DOOR

DATE: 5-21-20
ENG: SMC

CONFIDENTIAL DRAWING AND INFORMATION IS NOT TO BE COPIED OR DISCLOSED
TO OTHERS WITHOUT THE CONSENT OF GRABER MANUFACTURING, INC.
SPECIFICATIONS ARE SUBJECT TO CHANGE WITHOUT NOTICE.

©2020 GRABER MANUFACTURING, INC. ALL PROPRIETARY RIGHTS RESERVED.

TRASH LIDS ARE ATTACHED WITH 2 EA. STEEL
VINYL COATED AIRCRAFT CABLE.
PLASTIC LINER INCLUDED.
ALL FASTENERS ARE STAINLESS STEEL

SITE FURNISHING IS POWDER COATED WITH TGIC POLYESTER.
STEEL SURFACE PREP INCLUDES MECHANICAL AND CHEMICAL
ETCHING FOLLOWED WITH A COATING TO IMPROVE ADHESION
AND CORROSION RESISTANCE.