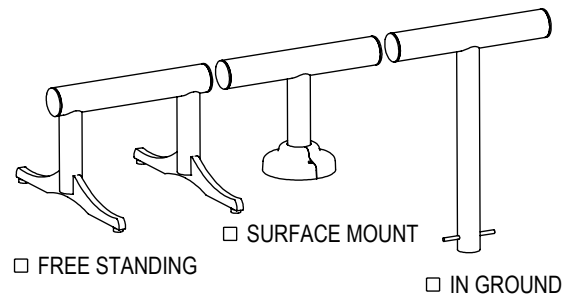
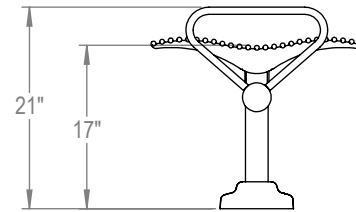
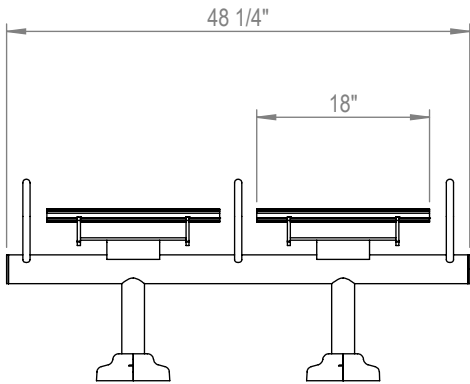
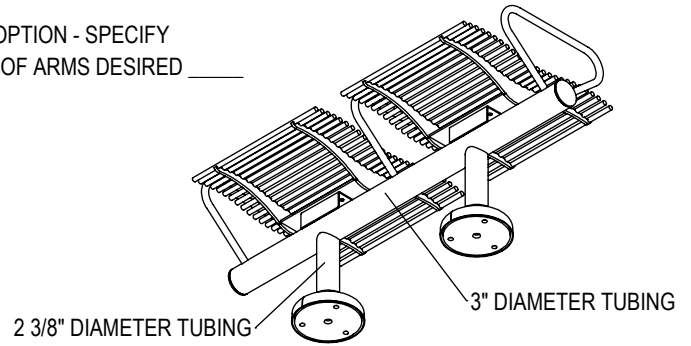
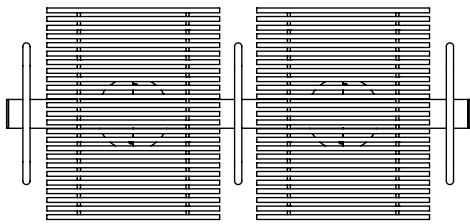


ARM OPTION - SPECIFY NUMBER OF ARMS DESIRED \_\_\_\_\_



PRODUCT: VLMF-2  
 DESCRIPTION: VOLARE FLAT MODULAR BENCH,  
 2 SEAT  
 DATE: 6-15-16  
 ENG: SMC

ALL FASTENERS ARE STAINLESS STEEL  
 SOME ASSEMBLY REQUIRED

CHECK DESIRED MOUNT

CONFIDENTIAL DRAWING AND INFORMATION IS NOT TO BE COPIED OR DISCLOSED TO OTHERS WITHOUT THE CONSENT OF GRABER MANUFACTURING, INC. SPECIFICATIONS ARE SUBJECT TO CHANGE WITHOUT NOTICE.

SITE FURNISHING IS POWDER COATED WITH TGIC POLYESTER. STEEL SURFACE PREP INCLUDES MECHANICAL AND CHEMICAL ETCHING FOLLOWED WITH A COATING TO IMPROVE ADHESION AND CORROSION RESISTANCE.