



THOMAS STEELE DIVISION

GRABER MANUFACTURING, INC.

1080 UNIEK DRIVE

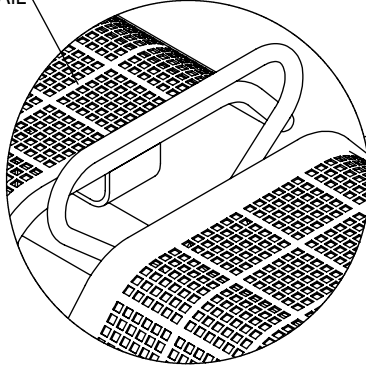
WAUNAKEE, WI 53597

P(800) 448-7931, P(608) 849-1080, F(608) 849-1081

WWW.MADRAX.COM, E-MAIL: SALES@MADRAX.COM

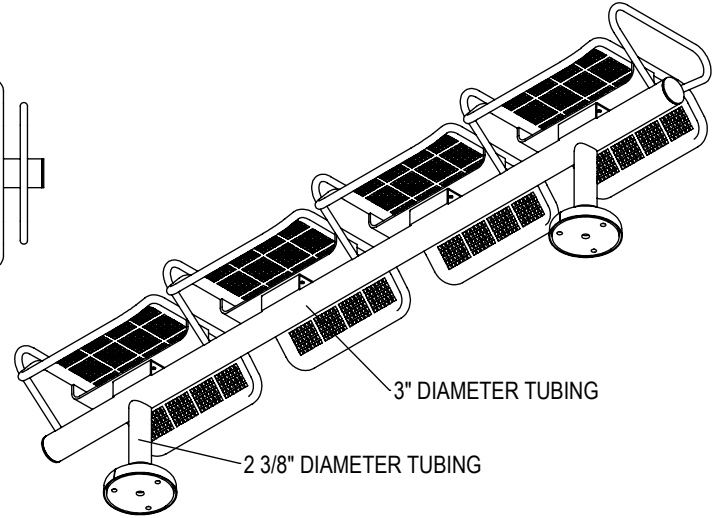
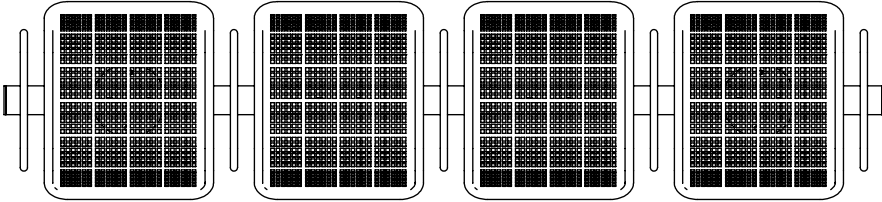
3/4" ROUND STEEL ROD

PERFORATION DETAIL



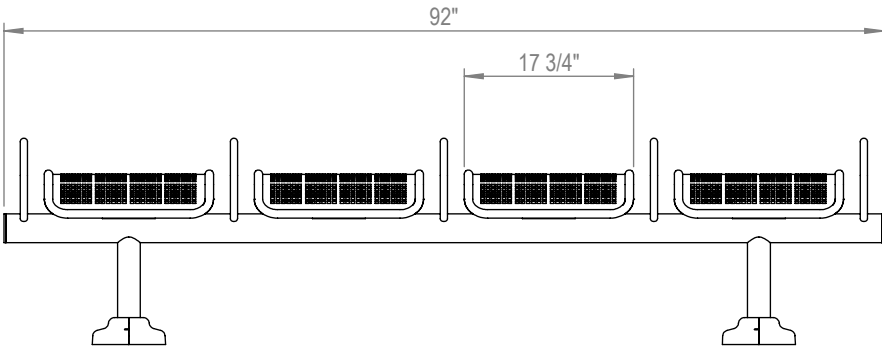
ARM OPTION - SPECIFY NUMBER OF ARMS DESIRED _____

DIE CAST GROUT COVERS



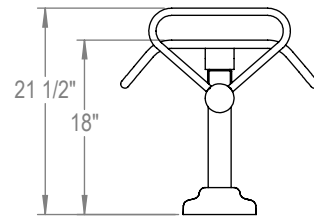
3" DIAMETER TUBING

2 3/8" DIAMETER TUBING



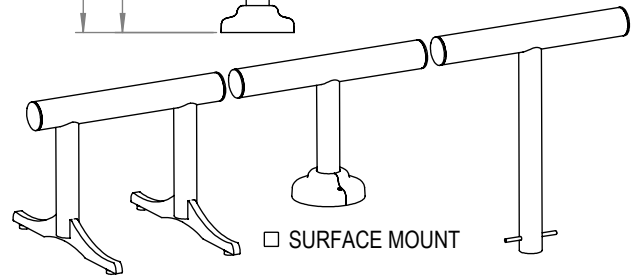
92"

17 3/4"



21 1/2"

18"



SURFACE MOUNT

FREE STANDING

IN GROUND

CHECK DESIRED MOUNT

PRODUCT: SSMF-4
DESCRIPTION: STATE STREET FLAT MODULAR BENCH,
4 SEAT

DATE: 10-6-15
ENG: SMC

ALL FASTENERS ARE STAINLESS STEEL
SOME ASSEMBLY REQUIRED

CONFIDENTIAL DRAWING AND INFORMATION IS NOT TO BE COPIED OR DISCLOSED
TO OTHERS WITHOUT THE CONSENT OF GRABER MANUFACTURING, INC.
SPECIFICATIONS ARE SUBJECT TO CHANGE WITHOUT NOTICE.

SITE FURNISHING IS POWDER COATED WITH TGIC POLYESTER.
STEEL SURFACE PREP INCLUDES MECHANICAL AND CHEMICAL
ETCHING FOLLOWED WITH A COATING TO IMPROVE ADHESION
AND CORROSION RESISTANCE.

©2015 GRABER MANUFACTURING, INC. ALL PROPRIETARY RIGHTS RESERVED.