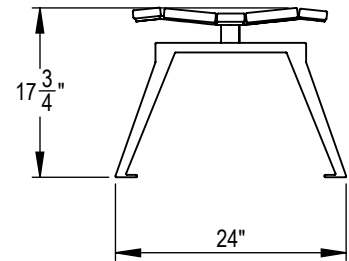
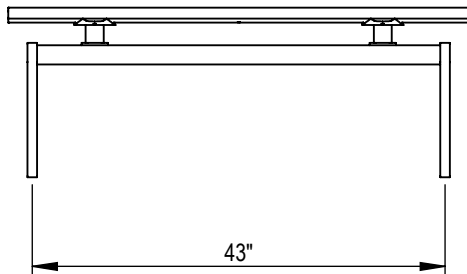
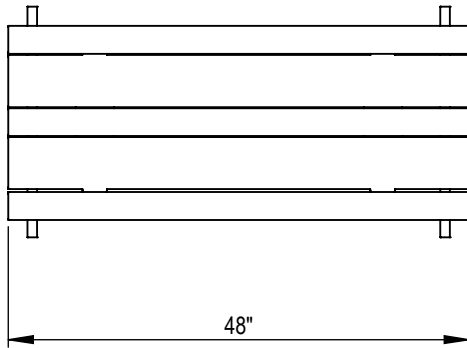
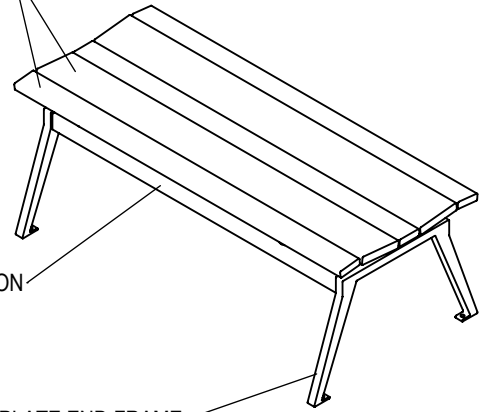


WOOD PROFILES 1" X 6" AND 1" X 3"

BASE IS ALL WELDED CONSTRUCTION

STEEL PLATE END FRAME



PRODUCT: LOF-4-WI
DESCRIPTION: LOFTY BENCH, 4 FOOT FLAT WITH IPE WOOD

ENG: BLW
DATE: 6-16-2015

CONFIDENTIAL DRAWING AND INFORMATION IS NOT TO BE COPIED OR DISCLOSED TO OTHERS WITHOUT THE CONSENT OF GRABER MANUFACTURING, INC. SPECIFICATIONS ARE SUBJECT TO CHANGE WITHOUT NOTICE.

©2018 GRABER MANUFACTURING, INC. ALL PROPRIETARY RIGHTS RESERVED.

ALL FASTENERS ARE STAINLESS STEEL.
SHIPS ASSEMBLED.

SITE FURNISHING IS POWDER COATED WITH TGIC POLYESTER. STEEL SURFACE PREP INCLUDES MECHANICAL AND CHEMICAL ETCHING FOLLOWED WITH A COATING TO IMPROVE ADHESION AND CORROSION RESISTANCE.