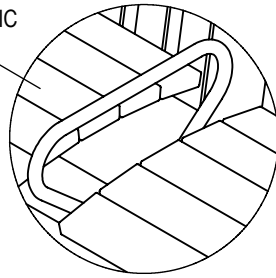


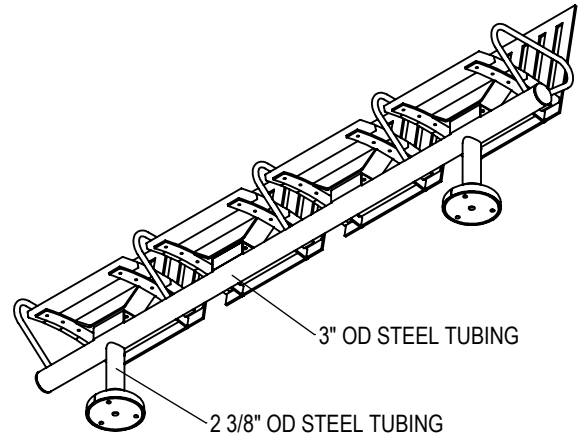
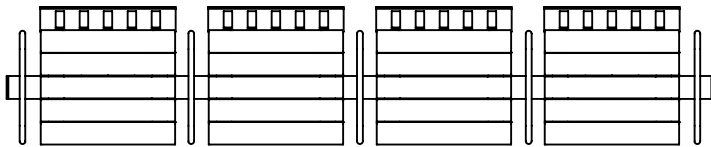
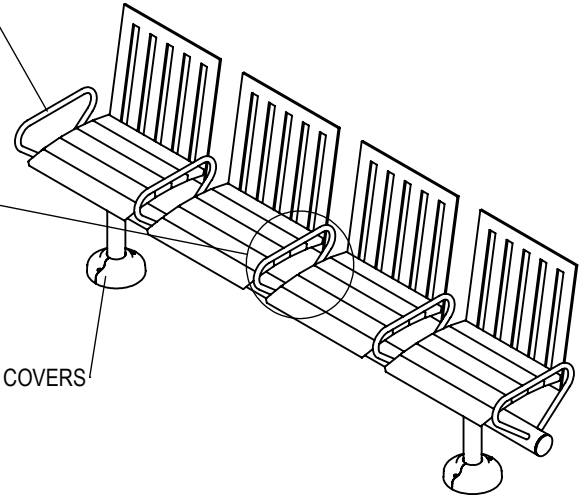
RECYCLED PLASTIC
OR IPE WOOD



3/4" ROUND STEEL ROD

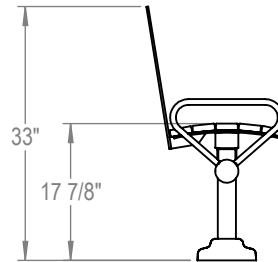
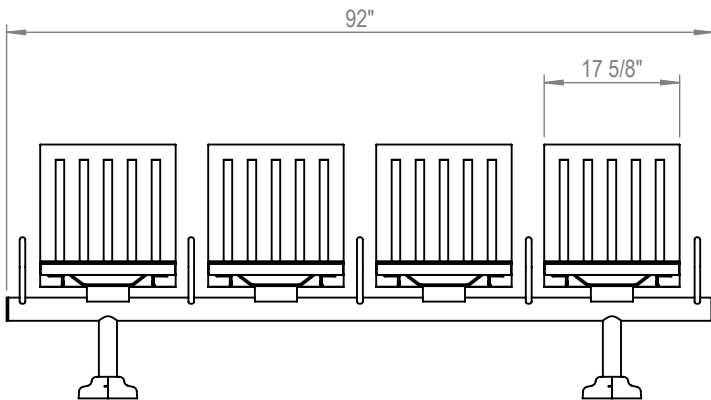
ARM OPTION - SPECIFY
NUMBER OF ARMS DESIRED _____

DIE CAST GROUT COVERS



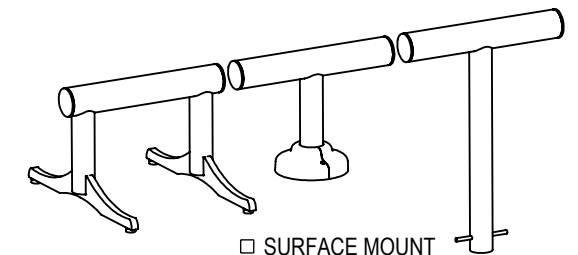
3" OD STEEL TUBING

2 3/8" OD STEEL TUBING



33"

17 7/8"



FREE STANDING

SURFACE MOUNT

IN GROUND

CHECK DESIRED MOUNT

PRODUCT: ASMB-4
 DESCRIPTION: ASHTON BACKED MODULAR BENCH,
 4 SEAT

DATE: 6-14-16
 ENG: SMC

ALL FASTENERS ARE STAINLESS STEEL
 SOME ASSEMBLY REQUIRED

CONFIDENTIAL DRAWING AND INFORMATION IS NOT TO BE COPIED OR DISCLOSED
 TO OTHERS WITHOUT THE CONSENT OF GRABER MANUFACTURING, INC.
 SPECIFICATIONS ARE SUBJECT TO CHANGE WITHOUT NOTICE.

©2016 GRABER MANUFACTURING, INC. ALL PROPRIETARY RIGHTS RESERVED.

SITE FURNISHING IS POWDER COATED WITH TGIC POLYESTER.
 STEEL SURFACE PREP INCLUDES MECHANICAL AND CHEMICAL
 ETCHING FOLLOWED WITH A COATING TO IMPROVE ADHESION
 AND CORROSION RESISTANCE.