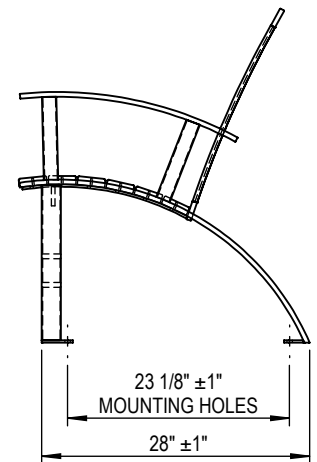
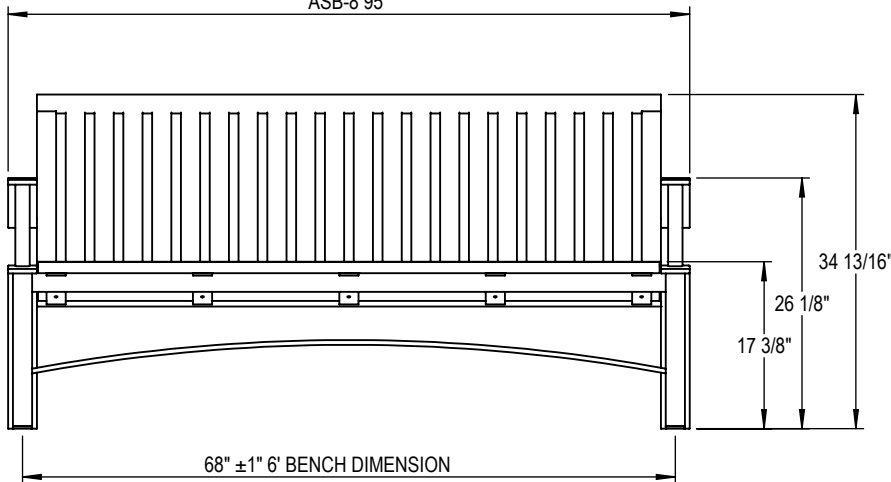


ASB-2 29"
 ASB-4 50"
 ASB-5 60"
 ASB-6 71"
 ASB-8 95"



PRODUCT: ASB-L(2, 4, 5, 6, 8)
 DESCRIPTION: ASHTON BENCH 2, 4, 5, 6, 8 FT

DATE: 1-30-20
 ENG: BLW

CONFIDENTIAL DRAWING AND INFORMATION IS NOT TO BE COPIED OR DISCLOSED TO OTHERS WITHOUT THE CONSENT OF GRABER MANUFACTURING, INC. SPECIFICATIONS ARE SUBJECT TO CHANGE WITHOUT NOTICE.

SITE FURNISHING IS POWDER COATED WITH TGIC POLYESTER. STEEL SURFACE PREP INCLUDES MECHANICAL AND CHEMICAL ETCHING FOLLOWED WITH A COATING TO IMPROVE ADHESION AND CORROSION RESISTANCE.