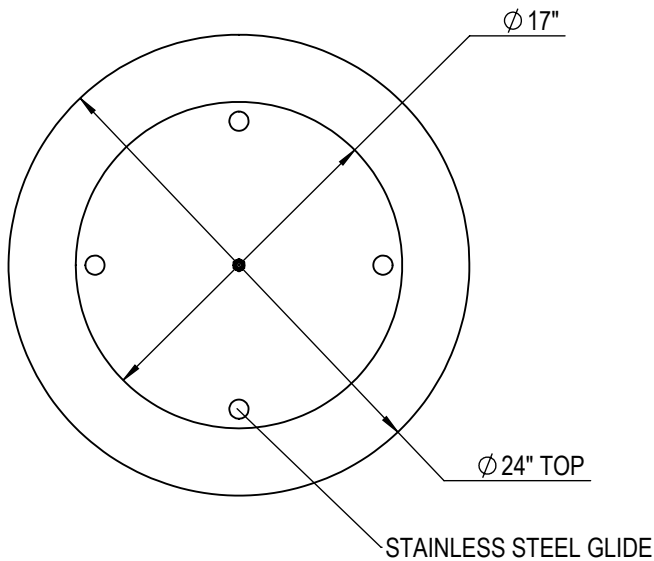
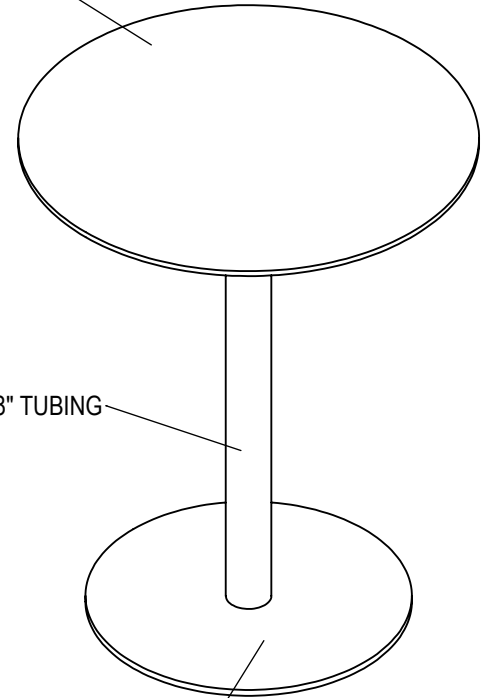


5/16" THICK STEEL TOP

Ø 2 3/8" TUBING

3/8" THICK STEEL BASE



PRODUCT: TET-24-P
 DESCRIPTION: TERRACE TABLE, 24 INCH DIAMETER,
 STEEL DISK PEDESTAL BASE, AND FLAT STEEL TOP
 DATE: 4-10-20
 ENG: SMC

CONFIDENTIAL DRAWING AND INFORMATION IS NOT TO BE COPIED OR DISCLOSED
 TO OTHERS WITHOUT THE CONSENT OF GRABER MANUFACTURING, INC.
 SPECIFICATIONS ARE SUBJECT TO CHANGE WITHOUT NOTICE.

©2020 GRABER MANUFACTURING, INC. ALL PROPRIETARY RIGHTS RESERVED.

SITE FURNISHING IS POWDER COATED WITH TGIC POLYESTER.
 STEEL SURFACE PREP INCLUDES MECHANICAL AND CHEMICAL
 ETCHING FOLLOWED WITH A COATING TO IMPROVE ADHESION
 AND CORROSION RESISTANCE.