

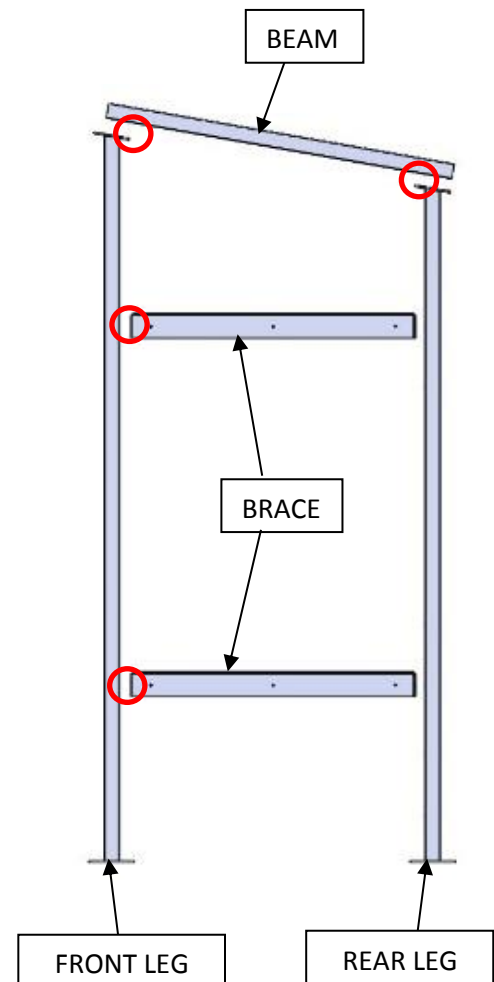
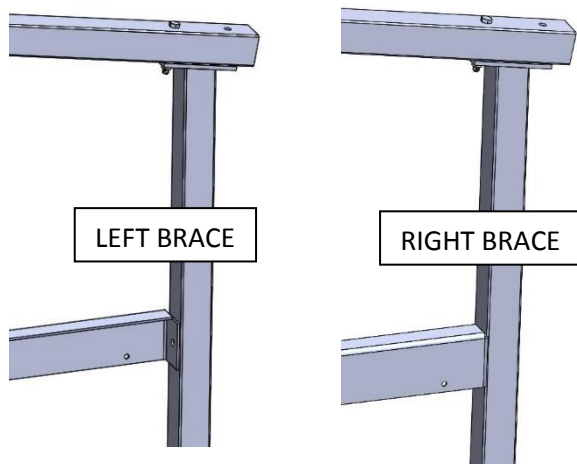
General Assembly Instructions:

1. Insert plastic caps before assembly.
2. Leave all fasteners, screws, nuts, and bolts loose until instructed to tighten.
3. Take care to not cross thread fasteners.

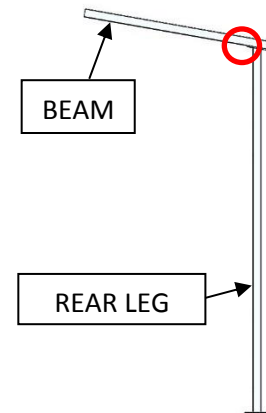
Tools: 9/16" Socket with Ratchet
 3/8" Socket with Ratchet
 7/32" Allen Wrench

Materials: 3/8" x 4 1/2" Zinc Slotted Flat Head Bolt
 3/8" x 3" Zinc Hex Bolt
 3/8" Zinc Lock Washer
 3/8" Zinc Nut
 #14 x 1 1/2" Zinc Self-Tapping Screws
 1/4" Zinc Flat Fender Washer

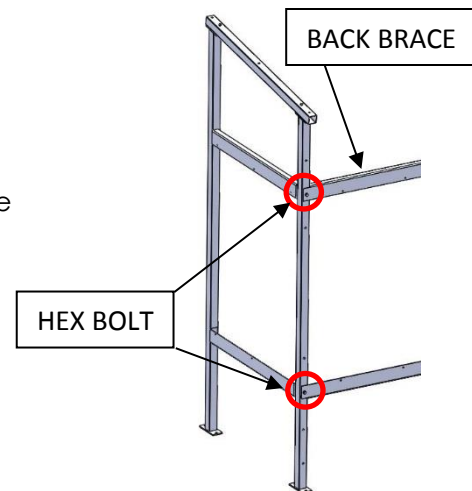
1. Start the shed installation by assembling the sides.
 - a. Lay the **SHD-V-FRONT-LEG** and **SHD-V REAR-LEG** with the **SHD-V BEAM** and (2) **SHD-V BRACE** as shown. **SHD-V BEAM** placed so the end that has 7/8" to the first hole is on the **SHD-V-FRONT-LEG** side. See view below for brace orientation.
 - b. Assemble the **SHD-V-FRONT-LEG** to the (2) **SHD-V BRACE** and the insides of both **LEGS** to the **SHD-V BEAM** using **3/8" x 3" Zinc Hex Bolt, Lock Washer and Nut**.
 - c. Put a bolt through **SHD-V REAR-LEG** to the back of the **SHD-V BRACE** but only to hold **SHD-V BRACE** in place. Those holes will be used later to attach the back of the shed.



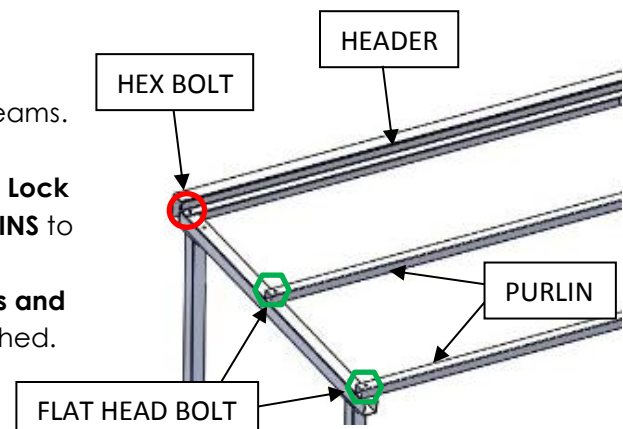
2. Assemble the center rear leg.
 - a. Use a **3/8" x 3" Zinc Hex Bolt, Lock Washer and Nut** to affix the inside of the third **SHD-V REAR-LEG** to the **SHD-V BEAM**.



3. Lift the sides up and attach the back braces.
 - a. Use **3/8" x 3" Zinc Hex Bolt, Lock Washers and Nuts** to attach the **SHD-V12-BACK-BRACE** to the sides and center rear leg.



4. Secure the purlins and header to the roof beams.
 - a. Use **3/8" x 4" Zinc Slotted Flat Head Bolt, Lock Washer and Nut** to attach **SHD-V12 PURLINS** to the **SHD-V BEAMS**.
 - b. Use **3/8" x 3" Zinc Hex Bolt, Lock Washers and Nuts** to attach the **SHD-V12-HDR** to the shed.



5. Tighten all fasteners.

6. Fasten the **SHD-V12 ROOF PANEL** to the **SHD-12 PURLINS** using **Self-Tapping Screws and Flat Fender Washers** spaced 3" in from the end of the panel and spaced every 8 1/4".

