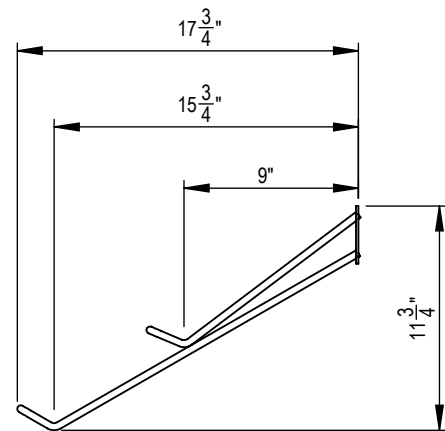
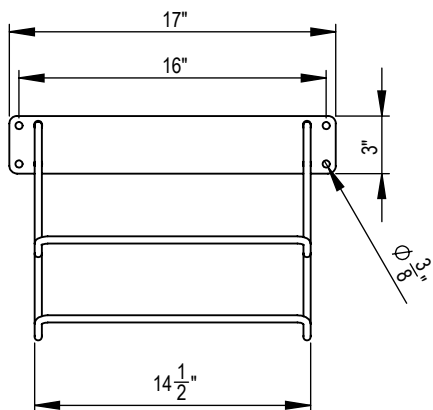


FINISH IS GREY TGIC POLYESTER POWDER COAT  
WITH BLACK CUSHION COATING.



PRODUCT: PLR-2-WM-P  
DESCRIPTION: PARALLEL WALL MOUNT BIKE RACK, 2 BIKE CAPACITY

DATE:1-23-18  
ENG:BLW

CONFIDENTIAL DRAWING AND INFORMATION IS NOT TO BE COPIED OR DISCLOSED TO OTHERS WITHOUT THE CONSENT OF GRABER MANUFACTURING, INC. SPECIFICATIONS ARE SUBJECT TO CHANGE WITHOUT NOTICE.

- NOTES:
1. INSTALL BIKE RACKS ACCORDING TO MANUFACTURER'S SPECIFICATIONS.
  2. CONSULTANT TO SELECT COLOR (FINISH), SEE MANUFACTURER'S SPECIFICATIONS.
  3. SEE SITE PLAN FOR LOCATION OR CONSULT OWNER.