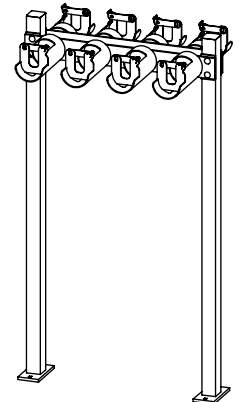


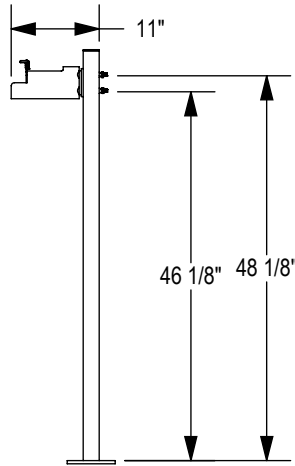
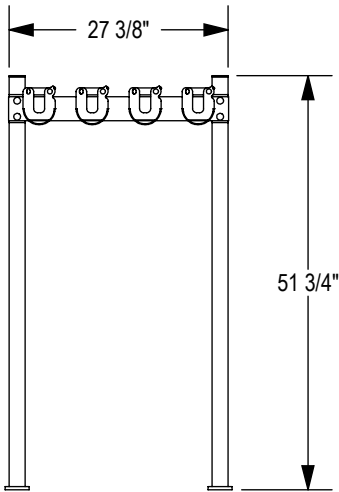
□ SRS-SNG-4-SF



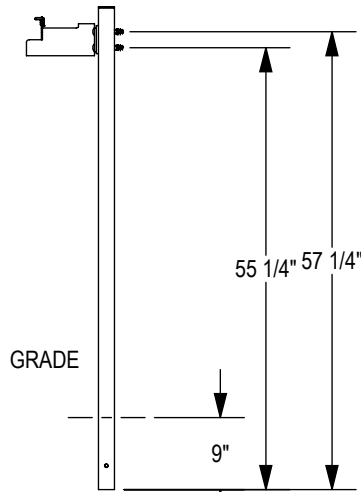
□ SRS-DBL-8-SF



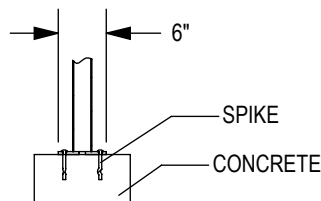
□ SRS-4-WM



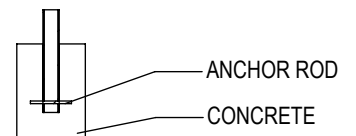
□ SURFACE MOUNT



□ IN GROUND MOUNT



□ SURFACE MOUNT (SF)



□ IN GROUND MOUNT (IG)

PRODUCT: SRS-4(8)
 DESCRIPTION: SKATE BOARD RACK SYSTEM
 SINGLE 4 BOARD, DOUBLE 8 BOARD CAPACITY FOR
 LONG BOARDS AND SKATE BOARDS

DATE: 10-17-18
 ENG: SMC

CONFIDENTIAL DRAWING AND INFORMATION IS NOT TO BE COPIED OR DISCLOSED
 TO OTHERS WITHOUT THE CONSENT OF GRABER MANUFACTURING, INC.
 SPECIFICATIONS ARE SUBJECT TO CHANGE WITHOUT NOTICE.

NOTES:

1. INSTALL BIKE RACKS ACCORDING TO MANUFACTURER'S SPECIFICATIONS.
2. CONSULTANT TO SELECT COLOR (FINISH), SEE MANUFACTURER'S SPECIFICATIONS.
3. SEE SITE PLAN FOR LOCATION OR CONSULT OWNER.