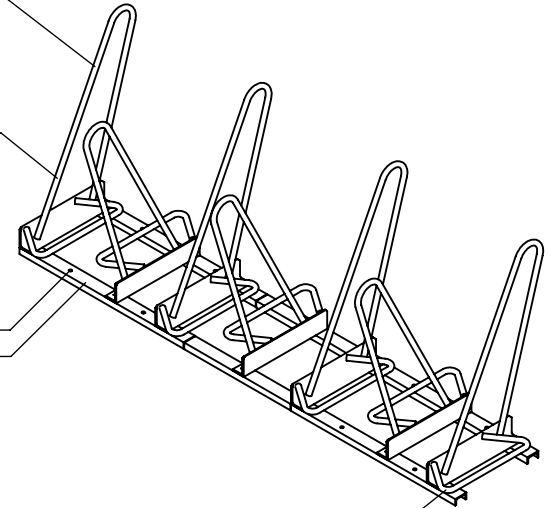


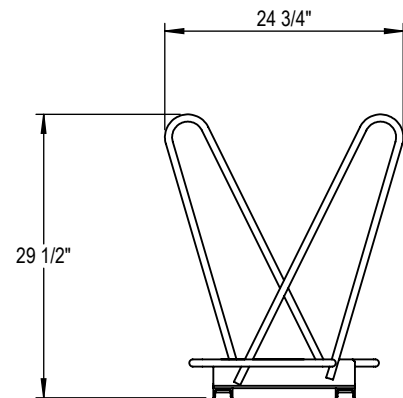
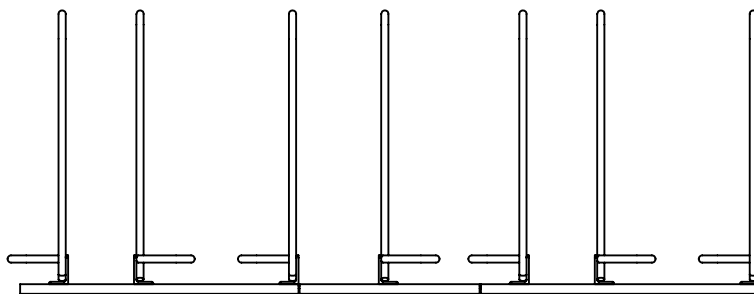
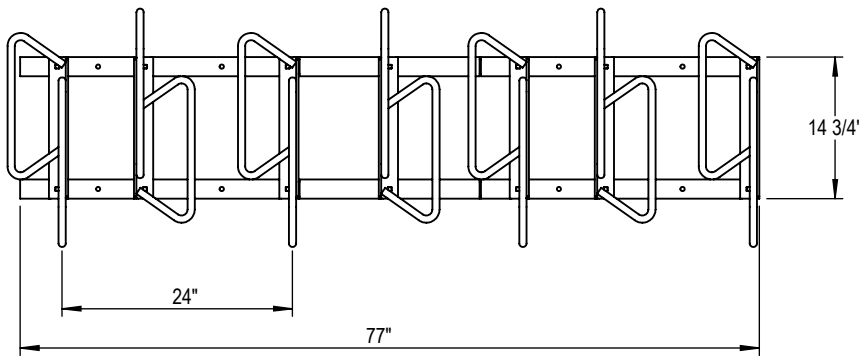
3/4" SOLID STEEL ROD
LOCKING BAR

(2) SHK-DBL-3, (1) CONNECTOR,
AND (1) SHK-1

7/16" DIA.
MOUNTING HOLE
2 X 1" STEEL CHANNEL



3/4" SOLID STEEL ROD
WHEEL STOP



PRODUCT: SHK-DBL-7
DESCRIPTION: SHARK™ BIKE RACK
7 BIKE, DOUBLE SIDED (PARK BOTH SIDES)
DATE: 5-27-20
ENG: SMC

CONFIDENTIAL DRAWING AND INFORMATION IS NOT TO BE COPIED OR DISCLOSED
TO OTHERS WITHOUT THE CONSENT OF GRABER MANUFACTURING, INC.
SPECIFICATIONS ARE SUBJECT TO CHANGE WITHOUT NOTICE.

NOTES:

1. INSTALL BIKE RACKS ACCORDING TO MANUFACTURER'S SPECIFICATIONS.
2. CONSULTANT TO SELECT COLOR (FINISH), SEE MANUFACTURER'S SPECIFICATIONS.
3. SEE SITE PLAN FOR LOCATION OR CONSULT OWNER.