

PART: SHD-H12
 DESCRIPTION: SHED, 12 FOOT, HORIZONTAL

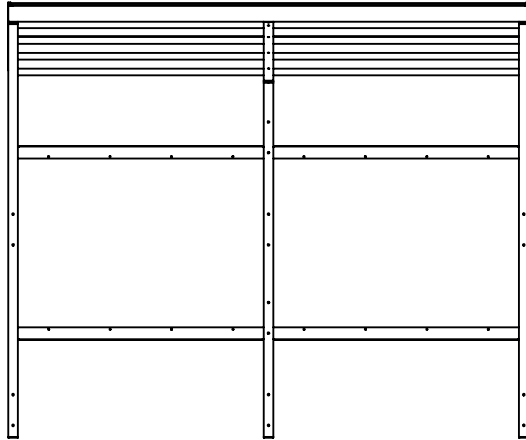
DATE: 9-22-17
 ENG: SMC

CONFIDENTIAL DRAWING AND INFORMATION IS NOT TO BE COPIED OR DISCLOSED TO OTHERS WITHOUT THE CONSENT OF GRABER MANUFACTURING, INC. SPECIFICATIONS ARE SUBJECT TO CHANGE WITHOUT NOTICE.

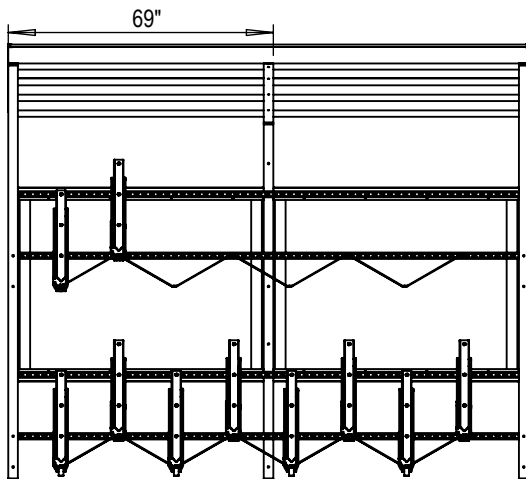
©2017 GRABER MANUFACTURING, INC. ALL PROPRIETARY RIGHTS RESERVED.

ALL STEEL IS HOT DIP GALVANIZED.
 ALL HARDWARE IS ZINC PLATED.
 POLYCARBONATE IS BRONZE IN COLOR.

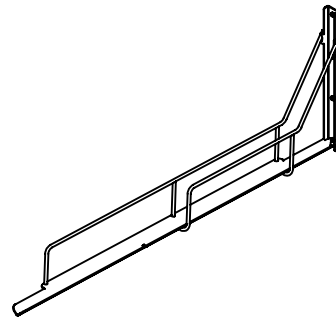
- NOTES:
1. INSTALL BIKE RACKS ACCORDING TO MANUFACTURER'S SPECIFICATIONS.
 2. CONSULTANT TO SELECT COLOR (FINISH), SEE MANUFACTURER'S SPECIFICATIONS.
 3. SEE SITE PLAN FOR LOCATION OR CONSULT OWNER.



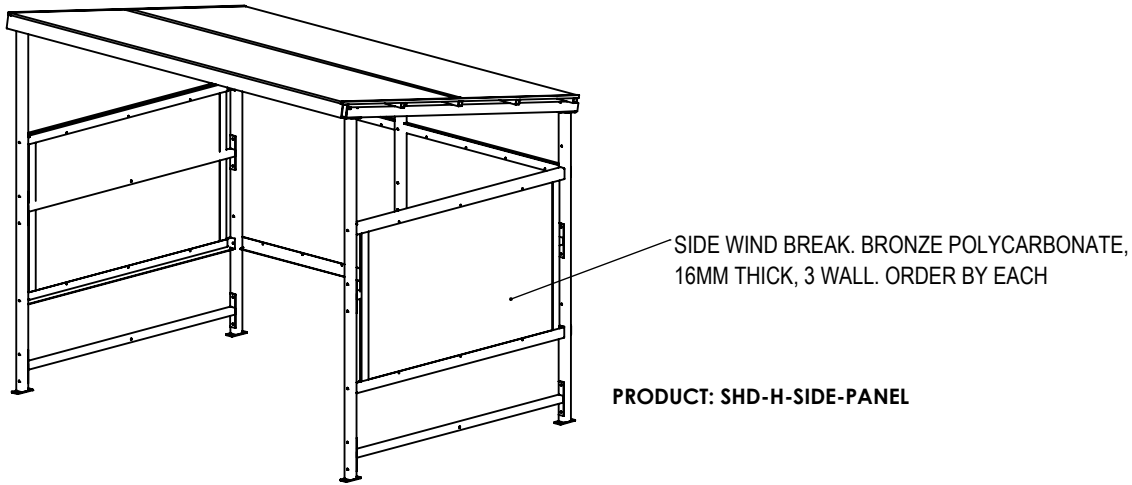
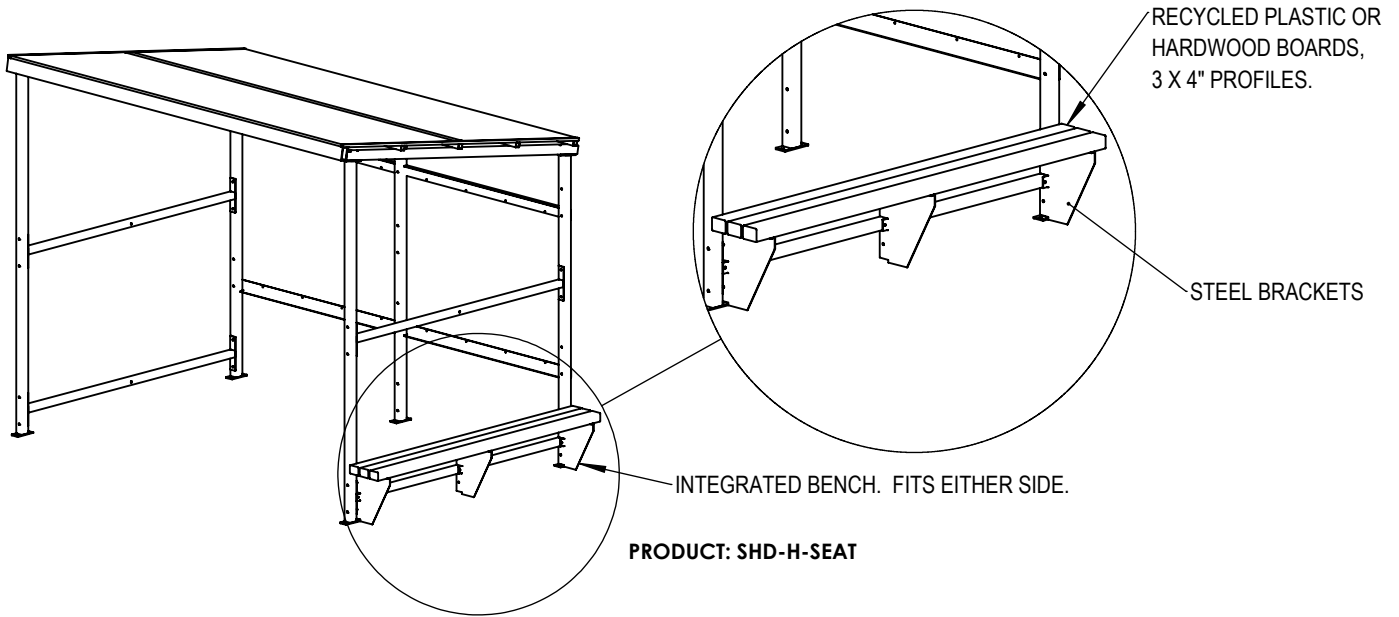
BASIC SHED



SHED WITH (16) BSH HORIZONTAL STORAGE RACKS



PRODUCT: SHD-BSH8-KIT



NOTES:

1. INSTALL BIKE RACKS ACCORDING TO MANUFACTURER'S SPECIFICATIONS.
2. CONSULTANT TO SELECT COLOR (FINISH), SEE MANUFACTURER'S SPECIFICATIONS.
3. SEE SITE PLAN FOR LOCATION OR CONSULT OWNER.