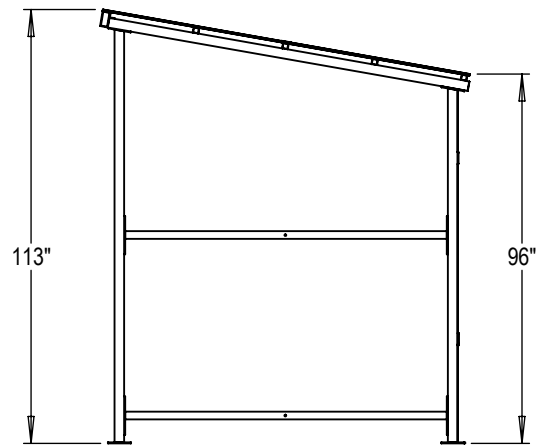
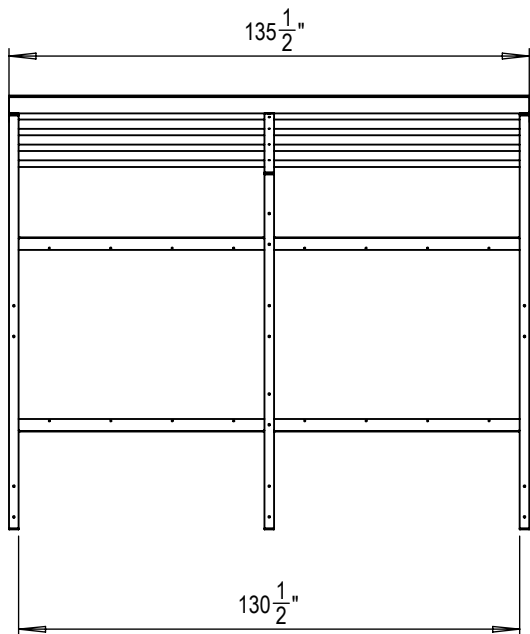
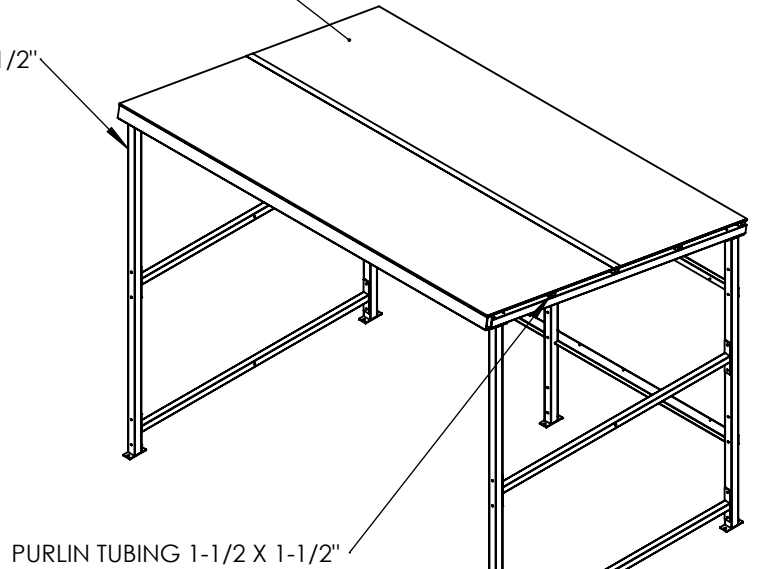


POLYCARBONATE, 16MM THICK, 3 WALL

LEG TUBING 2-1/2" X 2-1/2"



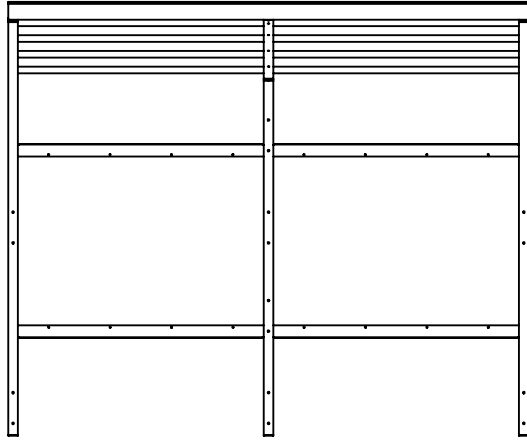
PART: SHD-H12-G
 DESCRIPTION: SHED, 12 FOOT, HORIZONTAL

DATE: 9-22-17
 ENG: SMC

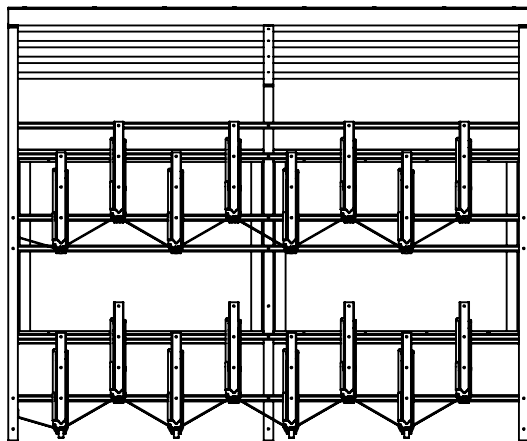
CONFIDENTIAL DRAWING AND INFORMATION IS NOT TO BE COPIED OR DISCLOSED TO OTHERS WITHOUT THE CONSENT OF GRABER MANUFACTURING, INC. SPECIFICATIONS ARE SUBJECT TO CHANGE WITHOUT NOTICE.

ALL STEEL IS HOT DIP GALVANIZED.
 ALL HARDWARE IS ZINC PLATED.

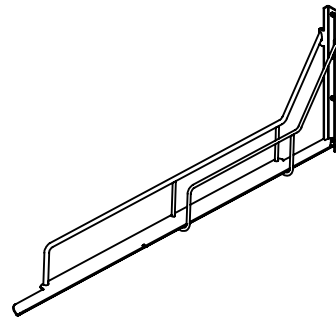
- NOTES:
1. INSTALL BIKE RACKS ACCORDING TO MANUFACTURER'S SPECIFICATIONS.
 2. CONSULTANT TO SELECT COLOR (FINISH), SEE MANUFACTURER'S SPECIFICATIONS.
 3. SEE SITE PLAN FOR LOCATION OR CONSULT OWNER.



BASIC SHED



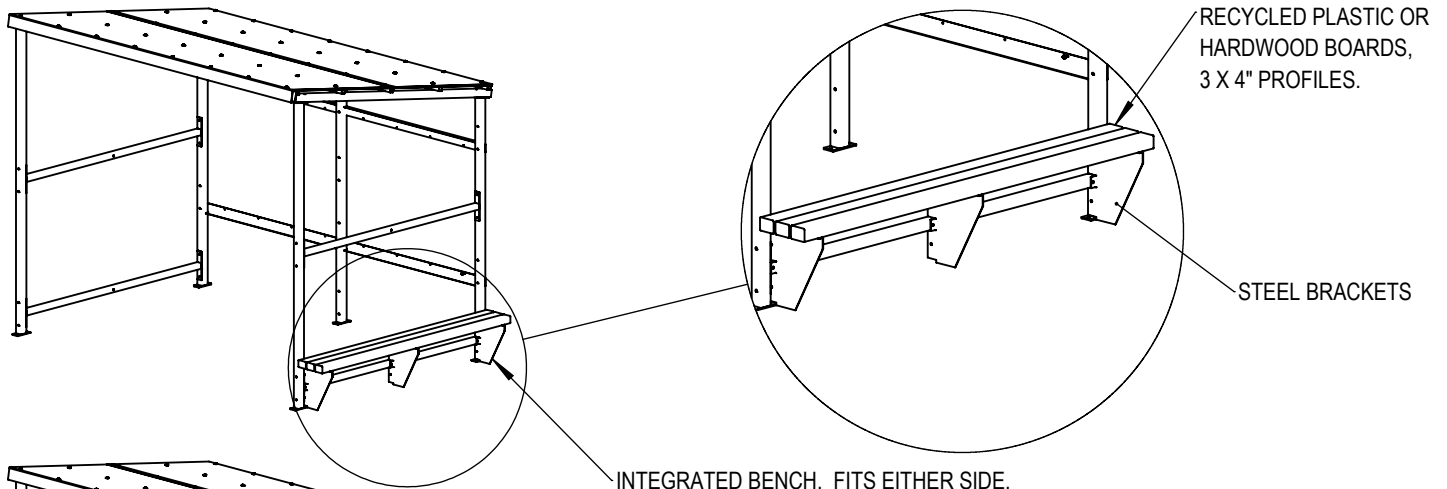
SHED WITH (16) BSH HORIZONTAL STORAGE RACKS



PRODUCT: SHD-BSH8-KIT

NOTES:

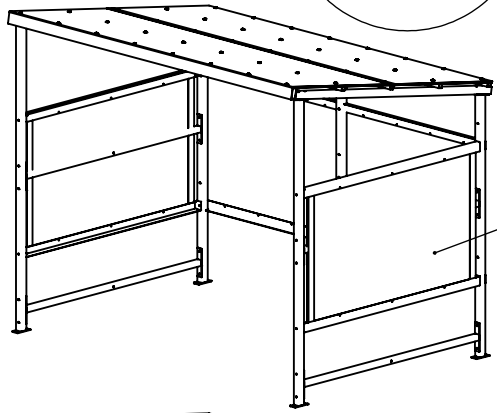
1. INSTALL BIKE RACKS ACCORDING TO MANUFACTURER'S SPECIFICATIONS.
2. CONSULTANT TO SELECT COLOR (FINISH), SEE MANUFACTURER'S SPECIFICATIONS.
3. SEE SITE PLAN FOR LOCATION OR CONSULT OWNER.



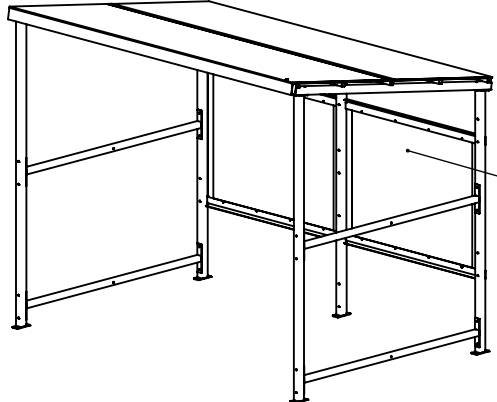
RECYCLED PLASTIC OR
HARDWOOD BOARDS,
3 X 4" PROFILES.

STEEL BRACKETS

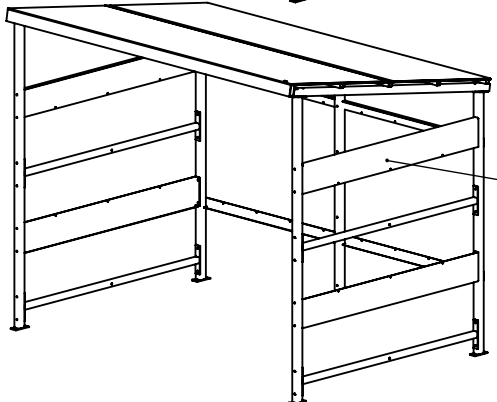
INTEGRATED BENCH. FITS EITHER SIDE.
PRODUCT: SHD-H-SEAT



SIDE WIND BREAK. POLYCARBONATE,
16MM THICK, 3 WALL. ORDER BY EACH
PRODUCT: SHD-H-SIDE-PANEL



BACK WIND BREAK. POLYCARBONATE,
16MM THICK, 3 WALL
PRODUCT: SHD-H12-BCK-PNL



10 X 85" SPACE TO ADHERE LOGOS AND
INFORMATION OR REQUEST A CUSTOM
LASER CUT DESIGN.
PRODUCT: SHD-H-AD-G