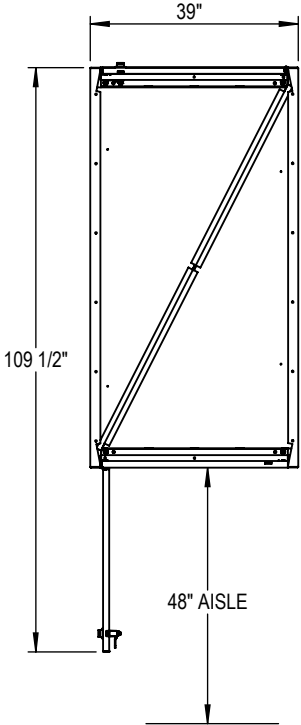
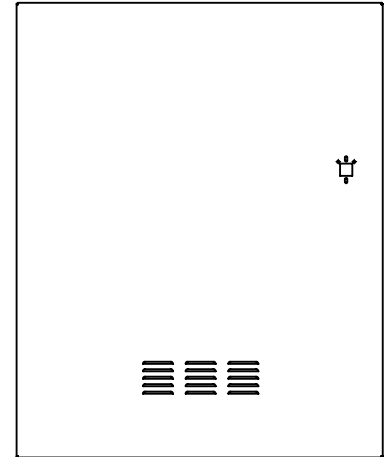
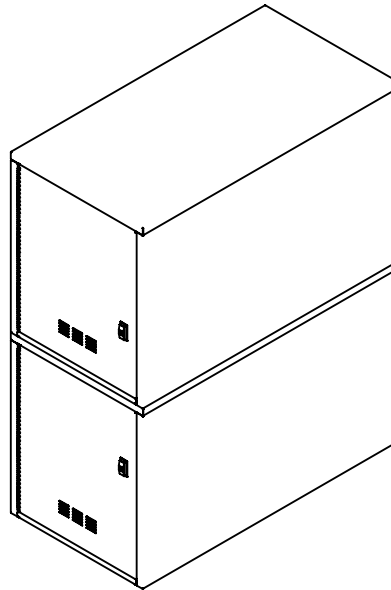


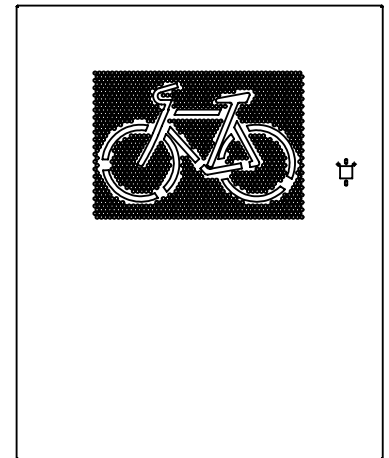
SHOWN WITH TOP REMOVED



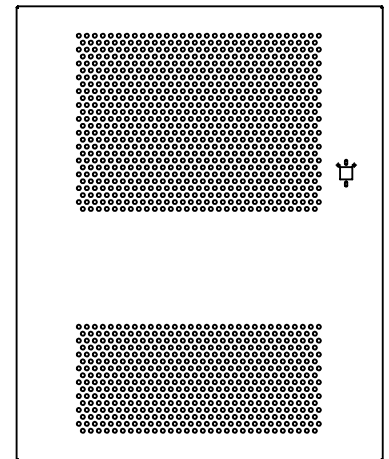
ALLOW FOR LOADING OF BIKE.  
SUGGESTED CLEARANCE OF 60"  
(MINIMUM OF 48").



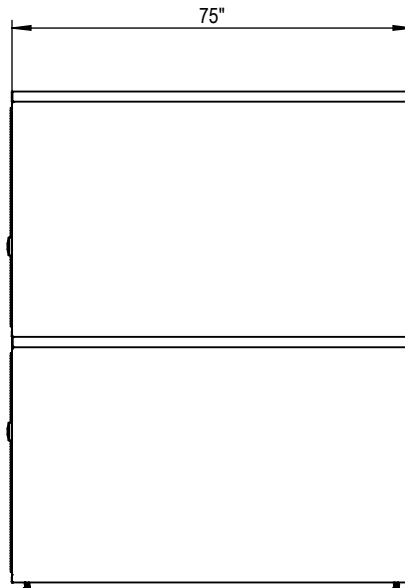
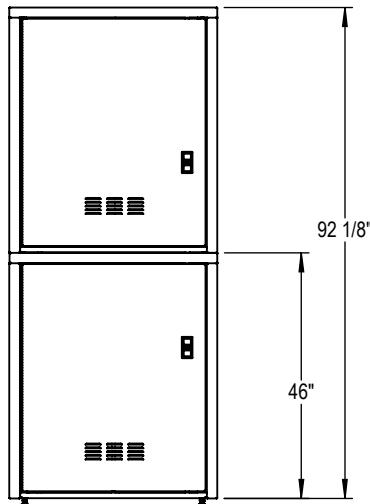
SOLID DOOR



BICYCLE PERFORATION DOOR



FULL PERFORATION DOOR



CHECK LOCKING STYLE

- HEAVY DUTY 4266 POP-OUT "T" HANDLE WITH 2 USER KEYS (KEYED DIFFERENTLY)
- STEEL U-LOCK AND PADLOCK STYLE HANDLE (PADLOCK AND U-LOCK NOT INCLUDED)

OTHER AVAILABLE OPTIONS:

- NUMBER PLATES
- GRAFFITI RESISTANT ADDITIONAL COATING

PRODUCT: ML2-2 AND ML2T-2  
DESCRIPTION: MADLOCK™ BIKE LOCKER  
2 UNITS STACKED - 4 DOOR, 4 BIKE CAPACITY  
DATE: 10-10-18  
ENG: SMC

NOTES:

1. INSTALL BIKE RACKS ACCORDING TO MANUFACTURER'S SPECIFICATIONS.
2. CONSULTANT TO SELECT COLOR (FINISH), SEE MANUFACTURER'S SPECIFICATIONS.
3. SEE SITE PLAN FOR LOCATION OR CONSULT OWNER.