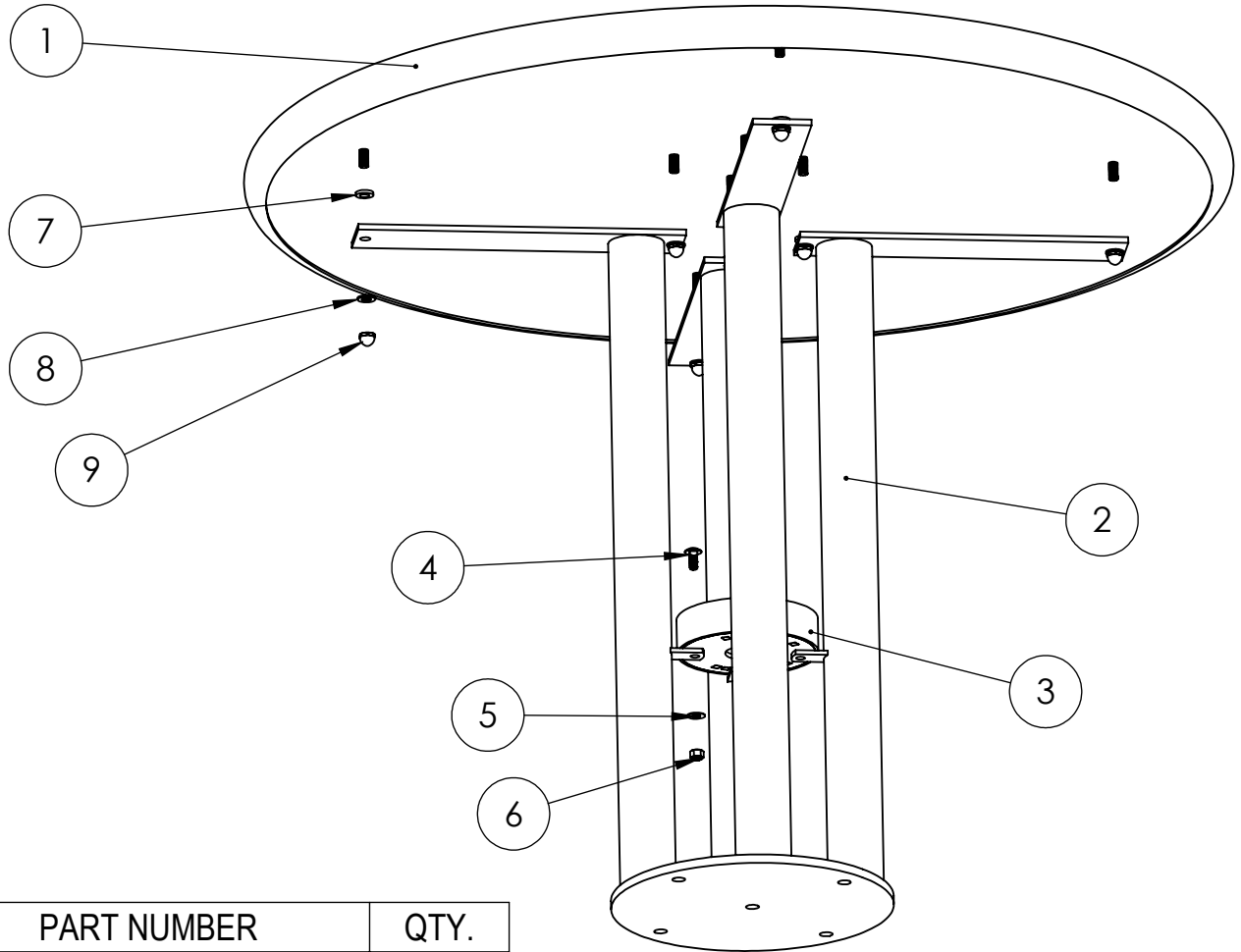


INDIVIDUAL DINING HEIGHT TABLE INSTRUCTION SHEET

ASSEMBLE UPSIDE DOWN ON A
 CLEAN, SCRATCH FREE SURFACE



ITEM NO.	PART NUMBER	QTY.
1	TABLE TOP	1
2	TABLE LEG	1
3	TBL-UMBRELLA HOLDER	1
4	CARRIAGE BOLT 5/16" X 3/4"	4
5	WASHER FLAT 5/16"	4
6	LOCK NUT 5/16"	4
7	3/8" NEOPRENE WASHER	8
8	3/8" FLAT WASHER	8
9	3/8" ACORN NUT	8
10	ANTISEIZE	1

DINING HEIGHT LEGS AND CIRCULAR TOP SHOWN

CONFIDENTIAL DRAWING AND INFORMATION IS NOT TO BE COPIED OR DISCLOSED TO OTHERS WITHOUT THE CONSENT OF GRABER MANUFACTURING, INC. SPECIFICATIONS ARE SUBJECT TO CHANGE WITHOUT NOTICE.

SITE FURNISHING IS POWDER COATED WITH TGIC POLYESTER. STEEL SURFACE PREP INCLUDES MECHANICAL AND CHEMICAL ETCHING FOLLOWED WITH A COATING TO IMPROVE ADHESION AND CORROSION RESISTANCE.