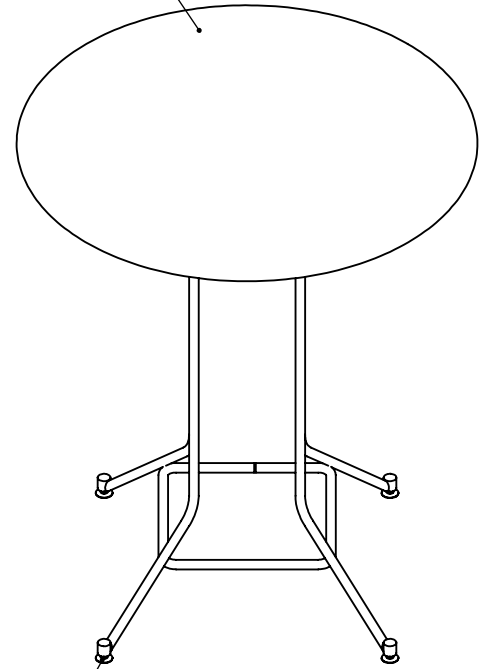
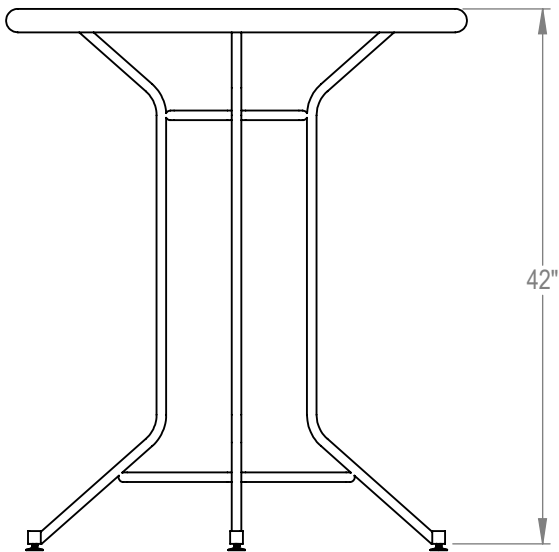


ROUNDED "C" PROFILE EDGE



4 STAINLESS STEEL
LEVELING FEET



PRODUCT: CFTB-P-RD-SQ
DESCRIPTION: CAFE TABLE, 36 OR 42 INCH DIAMETER,
BAR HEIGHT ROD SQUARE BASE, ROUND STEEL TOP
DATE: 1-15-18
ENG: SMC

CONFIDENTIAL DRAWING AND INFORMATION IS NOT TO BE COPIED OR DISCLOSED
TO OTHERS WITHOUT THE CONSENT OF GRABER MANUFACTURING, INC.
SPECIFICATIONS ARE SUBJECT TO CHANGE WITHOUT NOTICE.

©2018 GRABER MANUFACTURING, INC. ALL PROPRIETARY RIGHTS RESERVED.

SITE FURNISHING IS POWDER COATED WITH TGIC POLYESTER.
STEEL SURFACE PREP INCLUDES MECHANICAL AND CHEMICAL
ETCHING FOLLOWED WITH A COATING TO IMPROVE ADHESION
AND CORROSION RESISTANCE.