

12GA. (.109" WALL)
SPUN STEEL
WITH 1 1/2" 'C' ROLLED EDGE

3/16" X 1 1/2" STEEL
FLAT BAR

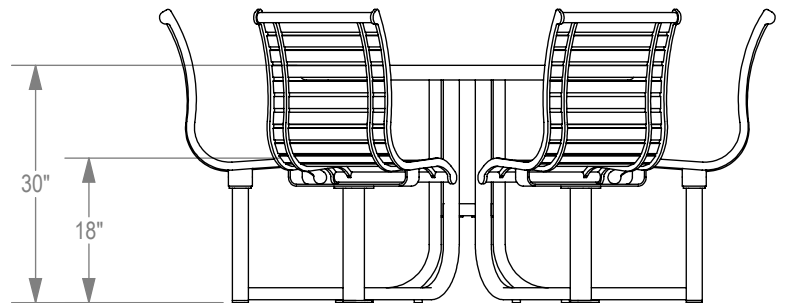
1 1/2" SQUARE
STEEL TUBE

2" SQUARE STEEL TUBE

Ø 42"

17 1/4"

76 5/8"



UMBRELLA HOLE OPTION

ALL FASTENERS ARE STAINLESS STEEL
SOME ASSEMBLY REQUIRED

PRODUCT: LAT-6B
DESCRIPTION: LANGDON TABLE, 6 BACKED SEATS

DATE: 6-17-16
ENG: SMC

CONFIDENTIAL DRAWING AND INFORMATION IS NOT TO BE COPIED OR DISCLOSED
TO OTHERS WITHOUT THE CONSENT OF GRABER MANUFACTURING, INC.
SPECIFICATIONS ARE SUBJECT TO CHANGE WITHOUT NOTICE.

SITE FURNISHING IS POWDER COATED WITH TGIC POLYESTER.
STEEL SURFACE PREP INCLUDES MECHANICAL AND CHEMICAL
ETCHING FOLLOWED WITH A COATING TO IMPROVE ADHESION
AND CORROSION RESISTANCE.